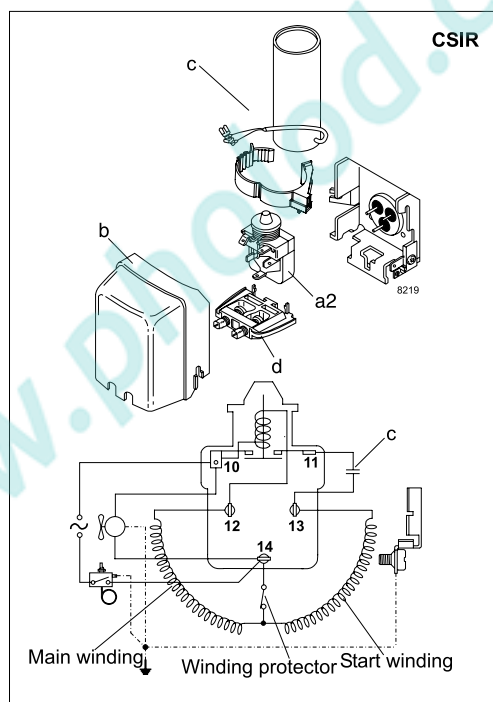


EN 12900 Household (CECOMAF) 220V, 50Hz, fan cooling F₂

Evap. temp. in °C	-45	-40	-35	-30	-25	-23.3	-20	-15	-10	-6.7	-5	0	5	7.2	10	15	20
Capacity in W							196	229	281	324	349	432	527	572	631		
Power cons. in W							169	186	203	215	221	239	256	263	272		
Current cons. in A							1.22	1.28	1.34	1.38	1.41	1.47	1.54	1.56	1.60		
COP in W/W							1.16	1.23	1.38	1.51	1.58	1.81	2.06	2.17	2.32		

ASHRAE LBP/MBP 220V, 50Hz, fan cooling F₂

Evap. temp. in °C	-45	-40	-35	-30	-25	-23.3	-20	-15	-10	-6.7	-5	0	5	7.2	10	15	20
Capacity in W							229	267	328	376	409	506	619	672	742		
Power cons. in W							169	186	203	215	221	239	256	263	272		
Current cons. in A							1.22	1.28	1.34	1.38	1.41	1.47	1.54	1.56	1.60		
COP in W/W							1.36	1.44	1.61	1.75	1.85	2.12	2.42	2.55	2.73		



Accessories for	TL4DL	Figure	Code number
PTC starting device	6.3 mm spade connectors	a1	-
	4.8 mm spade connectors		-
Starting relay	6.3 mm spade connectors	a2	117U6001
Start. capacitor 60 µF	6.3 mm spade connectors	c	117U5014
Cover		b	103N2010
Cord relief		d	103N1010
Protection screen for PTC		g	-

Test conditions	EN 12900/ CECOMAF	ASHRAE LBP/MBP
Condensing temperature	45°C	45°C
Ambient temperature	32°C	32°C
Suction gas temperature	32°C	32°C
Liquid temperature	45°C	32°C

Mounting accessories	Code number	
Bolt joint for one comp.	Ø: 16 mm	118-1917
Bolt joint in quantities	Ø: 16 mm	118-1918
Snap-on in quantities	Ø: 16 mm	118-1919

Danfoss can accept no responsibility for possible errors in catalogues, brochures and other printed material. Danfoss reserves the right to alter its products without notice. This also applies to products already on order provided that such alterations can be made without consequential changes being necessary in specifications already agreed. All trademarks in this material are property of the respective companies. Danfoss and the Danfoss logotype are trademarks of Danfoss A/S. All rights reserved.