



Alfa Laval Optigo CD

Commercial air coolers - Dual discharge



Alfa Laval Optigo – Simply fresh, today and tomorrow

Optigo is the Alfa Laval platform for commercial air cooler ranges. Common distinctive features for all Optigo products are the newly developed and highly efficient cooler coil in combination with many other features, options and benefits.



Energy efficient



Expert reliability



Simple and available

Optigo CD are commercial dual discharge air coolers for general application in small to medium-sized cooling, freezing and working rooms. Low air velocity and noise level make them especially suitable for refrigerated working & processing rooms. Dedicated ranges for H(C)FC refrigerants (CDE), brine (CDW) and CO₂ (CDX). Optigo CD coolers are available from stock.



Benefits Optigo CD

- Compact size for efficient use of cold room space.
- Low air velocity and low noise for comfortable working conditions.
- Standard suitable for hotgas defrost.
- Sufficient space for expansion valve inside casing.
- Eurovent certified performance (CDE models only).
- Easy-install and maintenance thanks to fully accessible casing construction.
- Energy efficient EC fans.
- Two-year product guarantee.
- Easy access to on-line product information.

Other Optigo products

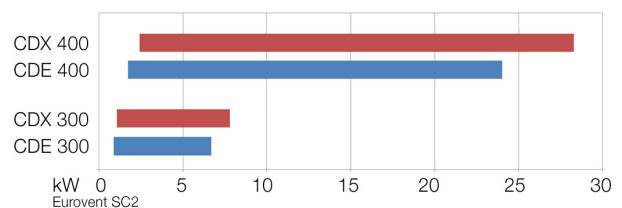
In addition to Optigo CD dual discharge coolers, the Alfa Laval Optigo platform also offers Optigo CS slim line coolers and Optigo CC single discharge unit coolers.



Optigo CS



Optigo CC



Alfa Laval Optigo CD at a glance

- Suitable for all HFC DX (CDE), CO₂ DX (CDX) and brine refrigerants (CDW).
- Triangular (staggered) coil pitch.
- Fin spacings 3.3, 4, 5.5, 6, 7, 8, 9, 10 & 11 mm.
- 1 to 5 fans, blowing through the coil.
- Room temperatures +10 to -30 °C.
- Capacity range 0.8 up to 24 kW (SC2).
- Air volumes 615 up to 14160 m³/h.

Standard features

Coil

Innovative coil manufactured from internally grooved Cu tubes and aluminium fins, smooth tubing for brine applications and dedicated thicker tubes for CO₂ application. Tube pitch is 30x26 mm staggered. Optigo CD is standard suitable for hotgas defrost.

cooler model	Available fin spacings (mm)									
	3.3	4.0	5.5	6.0	7.0	8.0	9.0	10.0	11.0	
CDE/CDW 300	✓	✓	✓		✓					
CDE/CDW 400		✓	✓	✓	✓	✓	✓	✓	✓	✓
CDX 300	✓	✓	✓		✓					
CDX 400	✓	✓	✓		✓					

Casing

Durable aluminium alloy casing, powder epoxy coated RAL 9002. Hinged lateral drip trays with dismantable central drain box. Fully dismantable and openable casing for cleaning purposes. Pre-cut passages for multiple choice connections. Internal air deflectors enhance coil efficiency.



Packing

All CD300 are delivered in wood-reinforced cardboard boxes, suitable for safe stacking. All CD400 models are supplied in wooden crates in mounting position.

Design pressure

Each heat exchanger is leak tested with dry air and finally supplied with a nitrogen pre-charge (CDE & CDX).

Model	Refrigerant	Design pressure	Test pressure
CDE	HFC	40 bar	57 bar
CDX	CO ₂	80 bar	114 bar
CDW	Brine	6 bar	9 bar

Fan motors

1 to 5 fans fitted with AC or EC fan motors available in two fan speeds (noise levels). Fan diameters 300 or 400 mm blowing through the coil. Fan motors 460/60/3 available as option. Detailed fan data on page 4.

Optional features

Electric defrost E

For cold rooms with room temperatures below 4 °C and frost build-up is likely, the application of a defrosting system is advised. Electric defrost for Optigo CD consists of stainless steel heater elements mounted in both coil and driptray. The defrost elements are connected to separate terminals in the terminal box. Electric defrost capacities on page 6.

Driptray insulation IS

Available for CD400 only.

Re-heating coil RH

Central terminal box CB

Fan motors wired to central terminal box. Standard for EC fan motors.

Repair switch SW

Available for CD400 only.

Stainless steel 304 casing & frame SS

Fin protection EP CA

Fin protection is available for more aggressive climate conditions. The following fin protection types are available:

- Epoxy coated aluminium fins (EP)
- Cathaphoresis treatment (CA)

Cathaphoresis ('cathodic electro-deposition') is a process of coating by immersion, based on the movement of charged particles in an electric field (coating) towards an oppositely charged pole that is to be painted (coil). The complete coil is sunk into the coating basin.

Code description

C	D	E	H	E	30	1	B	S	230V	BOP	P	C	A	-	E	P	4.0	C	U	C	B	
1	2	3	4	5	6		7	8	9	10		11	12		13	14	15	16				

- 1 Commercial air cooler - dual discharge
- 2 Refrigerant system (E = H(C)FC DX, W=brine, X=CO₂)
- 3 Fan speed (H=high speed, L=low fan speed)
- 4 Fan motor type (empty=AC, E=EC fan)
- 5 Fan diameter (30=300 mm, 40=400 mm)
- 6 Number of fans (1 to 5)
- 7 Tube rows code (B, C)
- 8 No. of phases (S=1, T=3)
- 9 Motor voltage
- 10 Packing (BOP=box + pallet, CR=crate)
- 11 Casing (PC=epoxy coated aluminium, SS=stainless steel)
- 12 Defrost system (A=air defrost, E=electric defrost)
- 13 Coil protection (EP=epoxy coated aluminium, CA=cathaphoresis)
- 14 Fin spacing (3.3, 4, 5.5, 6, 7, 8, 9, 10 or 11 mm)
- 15 Tube material (CU=copper)
- 16 Options

Fan motors

Optigo CD coolers are available with 1 to 5 fans fitted with AC or EC fan motors in two fan speed executions (noise levels) H/L. Fan diameters 300 or 400 mm blowing through the coil. Motors with dynamically and statically balanced external rotors, manufactured in accordance with VDE 0530/12.84. Integrated thermo contacts (Clixon) standard for 3-phase AC motors \varnothing 400 mm. All single phase motors protected by an integrated internal overload switch. Electronically integrated overload protection for EC fan motors.



Fan specifications

	EC \varnothing 300 mm	EC \varnothing 400 mm	AC \varnothing 400 mm
Fan blade material	Plastic PA, fibre glass reinforced	PP-GF40 plastic	Press fitted sheet steel, pp coated
Fan guard material	Plastic PP	Sheet metal, coated black	Sheet metal, coated black
Protection class	IP44	IP54	IP44
Insulation class	B	B	F
Condensate discharge	None	None, open rotor	Rotor-side
Bearings	Maintenance-free ball bearings	Ball bearings	Ball bearings
Motor protection	Electronics & TOP	PTC resistor	Thermal Overload Protector intern.

Fan motor type article nr.	Fan diameter mm	AC/EC	Poles nr.	Volt V	Phases nr.	Fan speed code	Freq. Hz	Fan speed rpm	Nominal power W	*Max. current A
41101428SP	300	EC	-	230	1	H	50	1300	35	0.34
						L	50	900	17	0.18
41103244SP	400	EC	-	230	1	H	50	1080	140	1.38
						L	50	905	73	0.77
						H	60	1080	140	1.38
						L	60	905	140	1.38
41101276SP	400	AC	4	230	1	H	50	1430	210	1.12
						H	60	1700	290	1.51
41101275SP	400	AC	4	400	3	H	50	1440	330	0.72
						H	60	1670	420	0.84
41101492SP	400	AC	6	230	1	L	50	940	140	0.74
						L	60	1080	180	0.90
41101236SP	400	AC	6	400	3	L	50	900	120	0.34
						L	60	970	170	0.42

* At t = -30 °C.

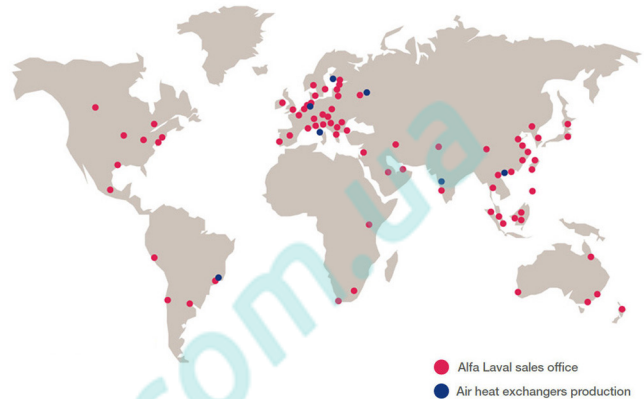
Quality and certifications

All Alfa Laval Optigo production sites are certified according to ISO 9001 (Quality) and ISO 14001 (Environment). Alfa Laval Optigo units are built according to the strictest international standards in terms of safety, energy efficiency and environmental sustainability. All units are given a 2-year guarantee. Alfa Laval is participant in the Eurovent Certify All programme for air-cooled condensers, dry coolers and DX air coolers. All Optigo products are manufactured according to CE and PED regulations.



Worldwide support

Alfa Laval offers worldwide support from product and application specialists via 103 sales offices in 53 countries. Alfa Laval offers a comprehensive portfolio of parts and services including quality spare parts delivery via channel partners, reconditioning, on-site services, performance agreements, exclusive stock stored, upgrades, consulting services and training.



Product selection and information

Our easy-to-use selection software AlfaSelect Air helps you select the most suitable air cooler solution for your specific application. The software provides separate modules for thermal and mechanical design. The data sheet printout provides all relevant technical specifications for the selected cooler model, including detailed dimensional drawings. Additional product information like user manuals, CAD drawings and electrical connections is available for download on the Optigo CD product page on our website www.alfalaval.com.

AlfaSelect AIR

Direct Expansion Air Cooler | Pump Air Cooler | Brine Air Cooler | Air Cooled Condenser | Air Cooled Liquid Cooler | ColdRoom

Duty Mode: Design
 Operating Mode: Direct Expansion
 Family: <All Families>
 Type: Ceiling-TF
 Series: CDE

Calculation
 Capacity: 12.00 [kW]
 AirTemp: 0.0 [°C]
 EvapTemp: -8.0 [°C]
 Rel humidity: 85.0 [%]
 TempDiff: 8.0 [K]
 EuroventClass: -
 Fluid: R404A

Optigo CD

Fan Input
 EC Motor:
 Power supply: 400V/3Ph/50Hz
 Noise Level: L
 Blade material: Auto Selection
 ErP2015 compliant:

Coil Input
 MinFinspacing: 4.0
 Fin material: Aluminium
 Tube material: Copper

Air Coolers Dual discharge - 50 Hz

Length	2770.0	[mm]
Height	350.0	[mm]
Depth	1150.0	[mm]
Dry weight (approx +/- 5%)	154.1	[kg]
Fin Spacing	4.0	[mm]
Fin Material	Aluminium	
Tube Material	Copper	
Sound power LWA	69	[dB(A)]
Number of fans	3	
Fan diameter	400.0	[mm]
Fan Connection	D	
Voltage	400V	
Rotation speed	900	[rpm]
Nom.power consumption	360.0	[W]
Nominal current	0.84	[A]
Full load current (-30°)	1.01	[A]
Surface	145.4	[m²]
Internal volume	15.6	[litres]

Attention: Prices in the result-list below are base-prices without any of the selected options. These prices are used for sorting the resultlist.
 Selected unit: CDEL403 CD 400V BOP PCA AL 4.0 CU
 Total price (RCPL) incl. Selected options: 4143 EUR

Model	Capacity [kW]	Surface Area [m²]	FinSpacing [mm]	Margin [%]	Air Flow [m³/s]	Air Throw [m]	Sound Pressure [dB(A)]	Sound Power [LWA]	Fan Conn	Motor [Speed(rpm)]	Tot Power Cons [W]	Tot Curr. Abs [A]	Price	Note
CDEL403CT	12.01	145.4	4.0	0.08	1.377	8.40	48	69	D	900	360.0	0.84	4143	
CDEL404BT	13.29	129.3	4.0	10.8	1.930	10.19	49	70	D	900	480.0	1.12	4911	

Capacities and technical data

On the next pages you will find capacities and other selection data for air cooler models with 4 and 7 mm fin spacing fitted with standard EC & AC fan motor types. To select other cooler models please use our AlfaSelect selection software.

Cooling capacities

Cooling capacities as given in the tables are nominal capacities for frosted conditions (Q_n) in compliance with Eurovent regulations and EN328. These nominal values have been calculated from the standard (dry) condition Q_{st} with the following formula: $Q_n = Q_{st} \times \text{correction factor}$.

Standard Condition	Air inlet temp. (°C)	Evaporating temp. (°C)	Relative humidity	Correction factor
SC1	10	0	85%	1.35
SC2	0	-8	85%	1.15
SC3	-18	-25	95%	1.05
SC4	-25	-31	95%	1.01

Nominal capacities are calculated with refrigerant R404A. For other refrigerants the following correction factors should be applied:

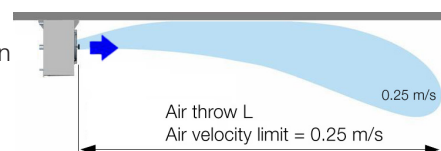
Refrigerant	SC1	SC2	SC3	SC4
R134a	0.93	0.91	0.85	-
R507	0.97	0.97	0.97	0.97
R407F	1.19	1.24	1.29	1.35
R407A	1.19	1.24	1.28	1.32

Eurovent certified

The Eurovent Certify All programm does not cover air cooler models for CO₂ and brine refrigerant applications. Only models for HFC refrigerants in DX execution are Eurovent certified.

Air throw

The values given in the tables are for ceiling mounted coolers at $t=20^{\circ}\text{C}$, an unrestrained air flow in the cold room and a minimal air velocity of 0.25 m/s at the given air throw distance. The height and air circulation of the room may influence the air throw.



Sound pressure dB(A)

Sound pressure as given in the tables are sound pressure levels in dB(A) at 3 m distance in free field conditions according to EN13487. Values may deviate depending on situations at site.

Electric defrost capacities

Model	Tube rows no.	Coil defrost			Driptray defrost		
		heater elements no.	power per heater W	total power W	heater elements no.	power per heater W	total power W
CD301	4/6	-	-	-	2	475	950
CD302	4/6	-	-	-	2	800	1600
CD303	4/6	-	-	-	2	1300	2600
CD304	4/6	-	-	-	2	1600	3200
CD401 B	4	4	500	2000	2	400	800
CD401 C	6	6	500	3000	2	400	800
CD402 B	4	4	1200	4800	2	800	1600
CD402 C	6	6	1200	7200	2	800	1600
CD403 B	4	4	1700	6800	2	1200	2400
CD403 C	6	6	1700	10200	2	1200	2400
CD404 B	4	4	2200	8800	2	1600	3200
CD404 C	6	6	2200	13200	2	1600	3200
CD405 B	4	4	2700	10800	2	2220	4440
CD405 C	6	6	2700	16200	2	2220	4440

Model	Nominal capacities HFC DX		EC fans 230/50-60/1							Connections	
	SC1 kW	SC2 kW	nr.	fan power W	air throw m	sound pressure dB(A)	air flow m ³ /h	coil surface m ²	Int. volume dm ³	in mm	out mm
Fin spacing 4 mm, fan speed H											
CDEH301 B 4	2.2	1.5	1	35	4.3	42	884	7.1	1.5	12	16
CDEH301 C 4	2.7	1.8	1	35	3.9	42	803	10.7	2.3	12	16
CDEH302 B 4	4.3	2.9	2	70	6.1	45	1751	13.9	2.7	16	16
CDEH302 C 4	5.2	3.6	2	70	5.5	45	1585	20.8	4.0	16	22
CDEH303 B 4	6.6	4.5	3	105	7.5	47	2618	20.6	3.8	16	22
CDEH303 C 4	7.8	5.3	3	105	6.7	47	2368	30.9	5.8	16	22
CDEH304 B 4	8.8	5.9	4	140	8.6	48	3485	27.3	5.0	16	22
CDEH304 C 4	10.2	6.9	4	140	7.8	48	3150	41.0	7.5	16	22
CDEH401 B 4	6.3	4.2	1	170	7.8	48	2674	32.3	4.0	14	14
CDEH401 C 4	7.9	5.4	1	170	7.5	48	2551	48.5	5.9	14	14
CDEH402 B 4	12.7	8.4	2	340	11.1	51	5348	64.6	7.2	22	35
CDEH402 C 4	15.9	10.7	2	340	10.6	51	5102	97.0	10.8	22	35
CDEH403 B 4	19.6	13.2	3	510	13.6	53	8022	97.0	10.4	28	42
CDEH403 C 4	24.1	16.3	3	510	13.0	53	7654	145.4	15.6	28	42
CDEH404 B 4	26.1	17.5	4	680	15.7	54	10700	129.3	13.7	35	54
CDEH404 C 4	30.9	20.5	4	680	15.0	54	10200	193.9	20.5	35	54
CDEH405 B 4	31.8	21.1	5	850	17.6	55	13370	161.6	16.9	35	54
CDEH405 C 4	36.0	23.5	5	850	16.7	55	12760	242.4	25.4	35	54
Fin spacing 4 mm, fan speed L											
CDEL301 B 4	1.7	1.1	1	17	2.9	33	608	7.1	1.5	12	16
CDEL301 C 4	2.0	1.4	1	17	2.7	33	557	10.7	2.3	12	16
CDEL302 B 4	3.3	2.3	2	34	4.2	36	1205	13.9	2.7	16	16
CDEL302 C 4	4.0	2.7	2	34	3.8	36	1102	20.8	4.0	16	22
CDEL303 B 4	5.1	3.5	3	51	5.1	38	1802	20.6	3.8	16	22
CDEL303 C 4	6.0	4.1	3	51	4.7	38	1646	30.9	5.8	16	22
CDEL304 B 4	6.9	4.7	4	68	5.9	39	2399	27.3	5.0	16	22
CDEL304 C 4	7.9	5.4	4	68	5.4	39	2191	41.0	7.5	16	22
CDEL401 B 4	5.3	3.6	1	75	5.9	41	2018	32.3	4.0	14	14
CDEL401 C 4	6.4	4.3	1	75	5.6	41	1904	48.5	5.9	14	14
CDEL402 B 4	10.7	7.2	2	150	8.4	44	4037	64.6	7.2	22	35
CDEL402 C 4	13.0	8.8	2	150	7.9	44	3809	97.0	10.8	22	35
CDEL403 B 4	16.2	10.9	3	225	10.3	46	6055	97.0	10.4	28	42
CDEL403 C 4	19.5	13.3	3	225	9.7	46	5713	145.4	15.6	28	42
CDEL404 B 4	21.7	14.6	4	300	11.9	47	8074	129.3	13.7	35	54
CDEL404 C 4	25.5	17.1	4	300	11.2	47	7617	193.9	20.5	35	54
CDEL405 B 4	26.8	17.9	5	375	13.2	48	10090	161.6	16.9	35	54
CDEL405 C 4	30.4	20.1	5	375	12.5	48	9522	242.4	25.4	35	54

Model	Nominal capacities HFC DX				EC fans 230/50-60/1							Connections	
	SC1 kW	SC2 kW	SC3 kW	SC4 kW	nr.	fan power W	air throw m	sound pressure dB(A)	air flow m ³ /h	coil surface m ²	Int. volume dm ³	in mm	out mm
Fin spacing 7 mm, fan speed H													
CDEH301 B 7	1.6	1.1	0.9	0.7	1	35	4.6	42	942	4.3	1.5	12	16
CDEH301 C 7	2.1	1.5	1.2	1.0	1	35	4.2	42	876	6.5	2.3	12	16
CDEH302 B 7	3.2	2.2	1.7	1.4	2	70	6.5	45	1871	8.4	2.7	16	16
CDEH302 C 7	4.2	2.9	2.3	1.9	2	70	6.0	45	1735	12.6	4.0	16	22
CDEH303 B 7	4.9	3.3	2.6	2.2	3	105	8.0	47	2799	12.5	3.8	16	22
CDEH303 C 7	6.4	4.3	3.4	2.8	3	105	7.4	47	2594	18.8	5.8	16	22
CDEH304 B 7	6.6	4.5	3.5	2.9	4	140	9.2	48	3728	16.6	5.0	16	22
CDEH304 C 7	8.4	5.7	4.4	3.6	4	140	8.5	48	3453	24.9	7.5	16	22
CDEH401 B 7	4.6	3.1	2.4	1.9	1	170	8.2	48	2799	13.7	4.0	14	14
CDEH401 C 7	6.0	4.0	3.2	2.6	1	170	8.0	48	2715	20.6	5.9	14	14
CDEH402 B 7	9.3	6.2	4.7	3.8	2	340	11.6	51	5597	27.4	7.2	22	35
CDEH402 C 7	12.3	8.3	6.4	5.2	2	340	11.3	51	5430	41.1	10.8	22	35
CDEH403 B 7	13.8	9.3	7.2	5.9	3	510	14.2	53	8396	41.1	10.4	28	42
CDEH403 C 7	18.6	12.5	9.8	7.9	3	510	13.8	53	8144	61.7	15.6	28	42
CDEH404 B 7	18.6	12.5	9.7	7.9	4	680	16.4	54	11190	54.8	13.7	35	54
CDEH404 C 7	24.3	16.3	12.4	9.9	4	680	15.9	54	10860	82.2	20.5	35	54
CDEH405 B 7	23.2	15.5	11.9	9.5	5	850	18.4	55	13990	68.5	16.9	35	54
CDEH405 C 7	29.3	19.4	14.3	11.2	5	850	17.8	55	13570	102.8	25.4	35	54
Fin spacing 7 mm, fan speed L													
CDEL301 B 7	1.3	0.9	0.7	0.6	1	17	3.1	33	645	4.3	1.5	12	16
CDEL301 C 7	1.6	1.1	0.9	0.7	1	17	2.9	33	605	6.5	2.3	12	16
CDEL302 B 7	2.5	1.7	1.3	1.1	2	34	4.4	36	1282	8.4	2.7	16	16
CDEL302 C 7	3.2	2.2	1.8	1.4	2	34	4.2	36	1199	12.6	4.0	16	22
CDEL303 B 7	3.8	2.6	2.1	1.7	3	51	5.5	38	1918	12.5	3.8	16	22
CDEL303 C 7	4.9	3.3	2.7	2.2	3	51	5.1	38	1793	18.8	5.8	16	22
CDEL304 B 7	5.1	3.5	2.8	2.3	4	68	6.3	39	2555	16.6	5.0	16	22
CDEL304 C 7	6.5	4.4	3.5	2.9	4	68	5.9	39	2387	24.9	7.5	16	22
CDEL401 B 7	3.9	2.6	2.0	1.6	1	75	6.3	41	2137	13.7	4.0	14	14
CDEL401 C 7	5.0	3.4	2.6	2.2	1	75	6.0	41	2060	20.6	5.9	14	14
CDEL402 B 7	7.9	5.3	4.1	3.3	2	150	8.9	44	4273	27.4	7.2	22	35
CDEL402 C 7	10.3	7.0	5.5	4.4	2	150	8.5	44	4120	41.1	10.8	22	35
CDEL403 B 7	11.7	7.9	6.2	5.0	3	225	10.9	46	6410	41.1	10.4	28	42
CDEL403 C 7	15.5	10.5	8.2	6.7	3	225	10.5	46	6179	61.7	15.6	28	42
CDEL404 B 7	15.8	10.6	8.3	6.8	4	300	12.5	47	8547	54.8	13.7	35	54
CDEL404 C 7	20.5	13.8	10.7	8.6	4	300	12.1	47	8239	82.2	20.5	35	54
CDEL405 B 7	19.7	13.3	10.3	8.3	5	375	14.0	48	10680	68.5	16.9	35	54
CDEL405 C 7	24.9	16.7	12.6	9.9	5	375	13.5	48	10300	102.8	25.4	35	54

Model	Nominal capacities HFC DX		AC fans 230/50/1							Connections	
	SC1 kW	SC2 kW	nr.	fan power W	air throw m	sound pressure dB(A)	air flow m ³ /h	coil surface m ²	Int. volume dm ³	in mm	out mm
Fin spacing 4 mm, fan speed H											
CDEH401 B 4	6.3	4.2	1	170	7.8	48	2674	32.3	4.0	14	14
CDEH401 C 4	7.9	5.4	1	170	7.5	48	2551	48.5	5.9	14	14
CDEH402 B 4	12.7	8.4	2	340	11.1	51	5348	64.6	7.2	22	35
CDEH402 C 4	15.9	10.7	2	340	10.6	51	5102	97.0	10.8	22	35
CDEH403 B 4	19.6	13.2	3	510	13.6	53	8022	97.0	10.4	28	42
CDEH403 C 4	24.1	16.3	3	510	13.0	53	7654	145.4	15.6	28	42
CDEH404 B 4	26.1	17.5	4	680	15.7	54	10700	129.3	13.7	35	54
CDEH404 C 4	30.9	20.5	4	680	15.0	54	10200	193.9	20.5	35	54
CDEH405 B 4	31.8	21.1	5	850	17.6	55	13370	161.6	16.9	35	54
CDEH405 C 4	36.0	23.5	5	850	16.7	55	12760	242.4	25.4	35	54
Fin spacing 4 mm, fan speed L											
CDEH401 B 4	5.3	3.6	1	75	5.9	41	2018	32.3	4.0	14	14
CDEH401 C 4	6.4	4.3	1	75	5.6	41	1904	48.5	5.9	14	14
CDEH402 B 4	10.7	7.2	2	150	8.4	44	4037	64.6	7.2	22	35
CDEH402 C 4	13.0	8.8	2	150	7.9	44	3809	97.0	10.8	22	35
CDEH403 B 4	16.2	10.9	3	225	10.3	46	6055	97.0	10.4	28	42
CDEH403 C 4	19.5	13.3	3	225	9.7	46	5713	145.4	15.6	28	42
CDEH404 B 4	21.7	14.6	4	300	11.9	47	8074	129.3	13.7	35	54
CDEH404 C 4	25.5	17.1	4	300	11.2	47	7617	193.9	20.5	35	54
CDEH405 B 4	26.8	17.9	5	375	13.2	48	10090	161.6	16.9	35	54
CDEH405 C 4	30.4	20.1	5	375	12.5	48	9522	242.4	25.4	35	54

Model	Nominal capacities HFC DX				AC fans 230/50/1							Connections	
	SC1 kW	SC2 kW	SC3 kW	SC4 kW	nr.	fan power W	air throw m	sound pressure dB(A)	air flow m ³ /h	coil surface m ²	Int. volume dm ³	in mm	out mm
Fin spacing 7 mm, fan speed H													
CDEH401 B 7	4.6	3.1	2.4	1.9	1	170	8.2	48	2799	19.0	4.0	14	14
CDEH401 C 7	6.0	4.0	3.2	2.6	1	170	8.0	48	2715	28.5	5.9	14	14
CDEH402 B 7	9.3	6.2	4.7	3.8	2	340	11.6	51	5597	38.0	7.2	22	35
CDEH402 C 7	12.3	8.3	6.4	5.2	2	340	11.3	51	5430	57.1	10.8	22	35
CDEH403 B 7	13.8	9.3	7.2	5.9	3	510	14.2	53	8396	57.1	10.4	28	42
CDEH403 C 7	18.6	12.5	9.8	7.9	3	510	13.8	53	8144	85.6	15.6	28	42
CDEH404 B 7	18.6	12.5	9.7	7.9	4	680	16.4	54	11190	76.1	13.7	35	54
CDEH404 C 7	24.3	16.3	12.4	9.9	4	680	15.9	54	10860	114.1	20.5	35	54
CDEH405 B 7	23.2	15.5	11.9	9.5	5	850	18.4	55	13990	95.1	16.9	35	54
CDEH405 C 7	29.3	19.4	14.3	11.2	5	850	17.8	55	13570	142.6	25.4	35	54
Fin spacing 7 mm, fan speed L													
CDEH401 B 7	3.9	2.6	2.0	1.6	1	75	6.3	41	2137	19.0	4.0	14	14
CDEH401 C 7	5.0	3.4	2.6	2.2	1	75	6.0	41	2060	28.5	5.9	14	14
CDEH402 B 7	7.9	5.3	4.1	3.3	2	150	8.9	44	4273	38.0	7.2	22	35
CDEH402 C 7	10.3	7.0	5.5	4.4	2	150	8.5	44	4120	57.1	10.8	22	35
CDEH403 B 7	11.7	7.9	6.2	5.0	3	225	10.9	46	6410	57.1	10.4	28	42
CDEH403 C 7	15.5	10.5	8.2	6.7	3	225	10.5	46	6179	85.6	15.6	28	42
CDEH404 B 7	15.8	10.6	8.3	6.8	4	300	12.5	47	8547	76.1	13.7	35	54
CDEH404 C 7	20.5	13.8	10.7	8.6	4	300	12.1	47	8239	114.1	20.5	35	54
CDEH405 B 7	19.7	13.3	10.3	8.3	5	375	14.0	48	10680	95.1	16.9	35	54
CDEH405 C 7	24.9	16.7	12.6	9.9	5	375	13.5	48	10300	142.6	25.4	35	54

Model	Nominal capacities CO ₂ DX*		EC fans 230/50-60/1							Connections	
	SC1 kW	SC2 kW	nr.	fan power W	air throw m	sound pressure dB(A)	air flow m ³ /h	coil surface m ²	Int. volume dm ³	in mm	out mm
Fin spacing 4 mm, fan speed H											
CDXH301 B 4	2.2	1.5	1	35	4.5	42	919	7.2	0.9	12	12
CDXH301 C 4	2.8	1.9	1	35	4.1	42	845	10.9	1.3	12	12
CDXH302 B 4	4.3	2.9	2	70	6.3	45	1824	14.1	1.6	12	12
CDXH302 C 4	5.3	3.6	2	70	5.8	45	1673	21.2	2.4	12	12
CDXH303 B 4	6.5	4.4	3	105	7.8	47	2728	21.0	2.2	12	12
CDXH303 C 4	8.1	5.6	3	105	7.1	47	2499	31.5	3.4	12	12
CDXH304 B 4	8.6	5.8	4	140	9.0	48	3632	27.9	2.9	12	12
CDXH304 C 4	10.5	7.2	4	140	8.2	48	3326	41.8	4.4	12	12
CDXH401 B 4	5.6	3.9	1	170	8.0	48	2714	19.7	2.3	14	14
CDXH401 C 4	7.7	5.2	1	170	7.6	48	2602	29.6	3.5	16	16
CDXH402 B 4	11.3	7.7	2	340	11.3	51	5428	39.5	4.2	16	16
CDXH402 C 4	15.0	10.3	2	340	10.8	51	5204	59.2	6.4	16	16
CDXH403 B 4	17.5	11.9	3	510	13.8	53	8143	59.2	6.2	16	16
CDXH403 C 4	23.1	15.7	3	510	13.2	53	7806	88.8	9.3	22	22
CDXH404 B 4	22.6	15.4	4	680	15.9	54	10860	79.0	8.1	22	22
CDXH404 C 4	29.9	20.5	4	680	15.3	54	10410	118.4	12.2	22	22
CDXH405 B 4	29.4	20.0	5	850	17.8	55	13570	98.7	10.1	22	22
CDXH405 C 4	37.7	25.8	5	850	17.1	55	13010	148.1	15.1	28	28
Fin spacing 4 mm, fan speed L											
CDXL301 B 4	1.8	1.3	1	17	3.0	33	628	7.2	0.9	12	12
CDXL301 C 4	2.2	1.5	1	17	2.8	33	583	10.9	1.3	12	12
CDXL302 B 4	3.5	2.4	2	34	4.3	36	1248	14.1	1.6	12	12
CDXL302 C 4	4.3	2.9	2	34	4.0	36	1154	21.2	2.4	12	12
CDXL303 B 4	5.3	3.7	3	51	5.3	38	1867	21.0	2.2	12	12
CDXL303 C 4	6.5	4.5	3	51	4.9	38	1725	31.5	3.4	12	12
CDXL304 B 4	7.0	4.8	4	68	6.1	39	2486	27.9	2.9	12	12
CDXL304 C 4	8.5	5.8	4	68	5.7	39	2297	41.8	4.4	12	12
CDXL401 B 4	4.9	3.4	1	75	6.0	41	2045	19.7	2.3	14	14
CDXL401 C 4	6.5	4.5	1	75	5.7	41	1937	29.6	3.5	16	16
CDXL402 B 4	9.9	6.8	2	150	8.5	44	4090	39.5	4.2	16	16
CDXL402 C 4	12.8	8.8	2	150	8.0	44	3875	59.2	6.4	16	16
CDXL403 B 4	15.2	10.4	3	225	10.4	46	6136	59.2	6.2	16	16
CDXL403 C 4	19.5	13.4	3	225	9.8	46	5812	88.8	9.3	22	22
CDXL404 B 4	19.8	13.6	4	300	12.0	47	8181	79.0	8.1	22	22
CDXL404 C 4	25.5	17.6	4	300	11.4	47	7750	118.4	12.2	22	22
CDXL405 B 4	25.6	17.5	5	375	13.4	48	10230	98.7	10.1	22	22
CDXL405 C 4	32.1	22.1	5	375	12.7	48	9687	148.1	15.1	28	28

* CO₂ refrigerant is not included in the Eurovent Certify All programme.

Model	Nominal capacities CO ₂ DX*				EC fans 230/50-60/1							Connections	
	SC1 kW	SC2 kW	SC3 kW	SC4 kW	nr.	fan power W	air throw m	sound pressure dB(A)	air flow m ³ /h	coil surface m ²	Int. volume dm ³	in mm	out mm
Fin spacing 7 mm, fan speed H													
CDXH301 B 7	1.7	1.1	0.8	0.7	1	35	4.7	42	972	4.4	0.9	12	12
CDXH301 C 7	2.2	1.5	1.1	0.9	1	35	4.4	42	917	6.5	1.3	12	12
CDXH302 B 7	3.3	2.2	1.6	1.3	2	70	6.7	45	1933	8.5	1.6	12	12
CDXH302 C 7	4.3	2.9	2.0	1.7	2	70	6.3	45	1820	12.7	2.4	12	12
CDXH303 B 7	4.9	3.3	2.4	2.0	3	105	8.2	47	2894	12.6	2.2	12	12
CDXH303 C 7	6.5	4.4	3.1	2.6	3	105	7.7	47	2722	18.9	3.4	12	12
CDXH304 B 7	6.5	4.4	3.1	2.6	4	140	9.5	48	3855	16.8	2.9	12	12
CDXH304 C 7	8.5	5.7	4.1	3.4	4	140	9.0	48	3624	25.1	4.4	12	12
CDXH401 B 7	4.3	2.9	2.0	1.7	1	170	8.2	48	2796	11.9	2.3	14	14
CDXH401 C 7	5.9	4.0	2.9	2.4	1	170	8.0	48	2711	17.8	3.5	16	16
CDXH402 B 7	8.5	5.7	4.1	3.4	2	340	11.6	51	5592	23.7	4.2	16	16
CDXH402 C 7	11.7	7.9	5.6	4.7	2	340	11.3	51	5421	35.6	6.4	16	16
CDXH403 B 7	13.0	8.8	6.3	5.2	3	510	14.2	53	8387	35.6	6.2	16	16
CDXH403 C 7	17.8	12.0	8.6	7.1	3	510	13.8	53	8132	53.4	9.3	22	22
CDXH404 B 7	17.0	11.5	8.2	6.8	4	680	16.4	54	11180	47.5	8.1	22	22
CDXH404 C 7	23.4	15.8	11.3	9.3	4	680	15.9	54	10840	71.2	12.2	22	22
CDXH405 B 7	21.8	14.7	10.5	8.7	5	850	18.4	55	13980	59.3	10.1	22	22
CDXH405 C 7	29.4	19.9	14.1	11.7	5	850	17.8	55	13550	89.0	15.1	28	28
Fin spacing 7 mm, fan speed L													
CDXL301 B 7	1.4	0.9	0.7	0.5	1	17	3.2	33	663	4.4	0.9	12	12
CDXL301 C 7	1.8	1.2	0.9	0.7	1	17	3.1	33	630	6.5	1.3	12	12
CDXL302 B 7	2.6	1.8	1.3	1.1	2	34	4.6	36	1320	8.5	1.6	12	12
CDXL302 C 7	3.4	2.3	1.7	1.4	2	34	4.3	36	1250	12.7	2.4	12	12
CDXL303 B 7	4.0	2.7	1.9	1.6	3	51	5.6	38	1976	12.6	2.2	12	12
CDXL303 C 7	5.2	3.5	2.5	2.1	3	51	5.3	38	1871	18.9	3.4	12	12
CDXL304 B 7	5.3	3.6	2.5	2.1	4	68	6.5	39	2633	16.8	2.9	12	12
CDXL304 C 7	6.8	4.6	3.3	2.7	4	68	6.2	39	2491	25.1	4.4	12	12
CDXL401 B 7	3.7	2.5	1.8	1.5	1	75	6.2	41	2127	11.9	2.3	14	14
CDXL401 C 7	5.0	3.4	2.4	2.0	1	75	6.0	41	2046	17.8	3.5	16	16
CDXL402 B 7	7.4	5.0	3.6	2.9	2	150	8.8	44	4254	23.7	4.2	16	16
CDXL402 C 7	10.0	6.8	4.8	4.0	2	150	8.5	44	4092	35.6	6.4	16	16
CDXL403 B 7	11.2	7.6	5.4	4.5	3	225	10.8	46	6380	35.6	6.2	16	16
CDXL403 C 7	15.1	10.3	7.3	6.1	3	225	10.4	46	6138	53.4	9.3	22	22
CDXL404 B 7	14.8	10.0	7.1	5.9	4	300	12.5	47	8507	47.5	8.1	22	22
CDXL404 C 7	20.0	13.6	9.6	8.0	4	300	12.0	47	8184	71.2	12.2	22	22
CDXL405 B 7	18.8	12.8	9.1	7.5	5	375	14.0	48	10630	59.3	10.1	22	22
CDXL405 C 7	25.1	17.0	12.1	10.0	5	375	13.4	48	10230	89.0	15.1	28	28

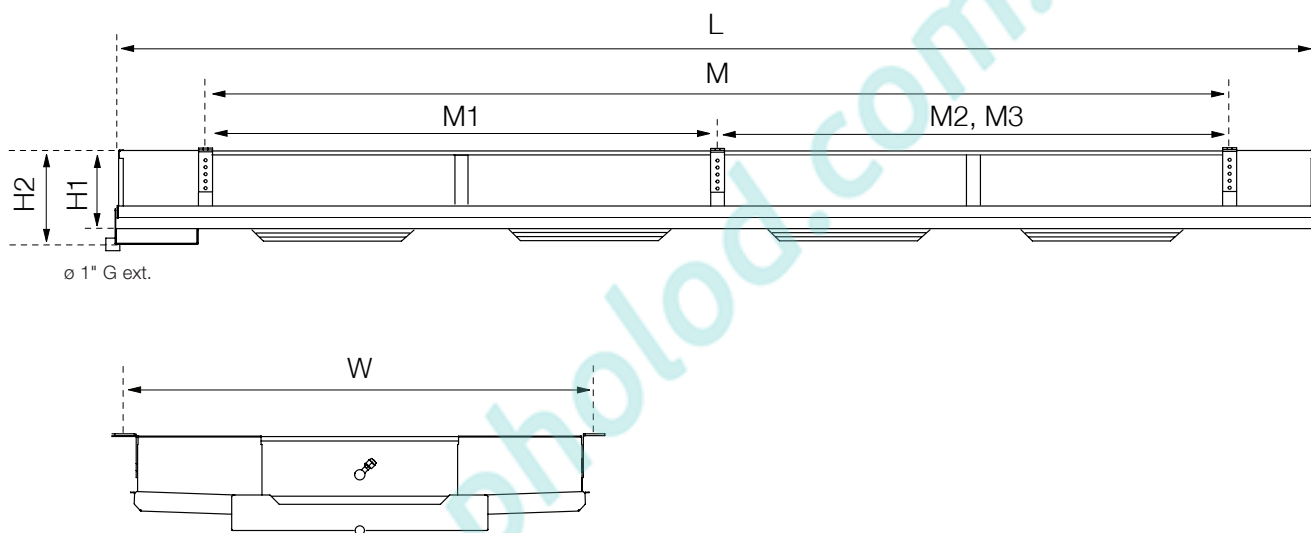
* CO₂ refrigerant is not included in the Eurovent Certify All programme.

Model	Nominal capacities CO ₂ DX*				AC fans 400/50/1							Connections	
	SC1 kW	SC2 kW	SC3 kW	SC4 kW	nr.	fan power W	air throw m	sound pressure dB(A)	air flow m ³ /h	coil surface m ²	Int. volume dm ³	in mm	out mm
Fin spacing 4 mm, fan speed H													
CDXH401 B 4	5.7	3.9			1	170	8.1	48	2772	19.7	2.3	14	14
CDXH401 C 4	7.8	5.3			1	170	7.8	48	2664	29.6	3.5	16	16
CDXH402 B 4	11.4	7.8			2	340	11.5	51	5545	39.5	4.2	16	16
CDXH402 C 4	15.1	10.4			2	340	11.1	51	5329	59.2	6.4	16	16
CDXH403 B 4	17.6	12.0			3	510	14.1	53	8317	59.2	6.2	16	16
CDXH403 C 4	23.3	15.9			3	510	13.5	53	7993	88.8	9.3	22	22
CDXH404 B 4	22.8	15.6			4	680	16.3	54	11090	79.0	8.1	22	22
CDXH404 C 4	30.3	20.8			4	680	15.6	54	10660	118.4	12.2	22	22
CDXH405 B 4	29.7	20.2			5	850	18.2	55	13860	98.7	10.1	22	22
CDXH405 C 4	38.2	26.1			5	850	17.5	55	13320	148.1	15.1	28	28
Fin spacing 4 mm, fan speed L													
CDXL401 B 4	4.6	3.1			1	75	5.2	41	1758	19.7	2.3	14	14
CDXL401 C 4	6.0	4.1			1	75	4.9	41	1680	29.6	3.5	16	16
CDXL402 B 4	9.2	6.3			2	150	7.3	44	3515	39.5	4.2	16	16
CDXL402 C 4	11.7	8.1			2	150	7.0	44	3360	59.2	6.4	16	16
CDXL403 B 4	14.1	9.6			3	225	8.9	46	5273	59.2	6.2	16	16
CDXL403 C 4	17.9	12.3			3	225	8.5	46	5040	88.8	9.3	22	22
CDXL404 B 4	18.4	12.6			4	300	10.3	47	7031	79.0	8.1	22	22
CDXL404 C 4	23.5	16.2			4	300	9.9	47	6720	118.4	12.2	22	22
CDXL405 B 4	23.6	16.2			5	375	11.5	48	8789	98.7	10.1	22	22
CDXL405 C 4	29.5	20.3			5	375	11.0	48	8400	148.1	15.1	28	28
Fin spacing 7 mm, fan speed H													
CDXH401 B 7	4.3	2.9	2.1	1.7	1	170	8.4	48	2846	11.9	2.3	14	14
CDXH401 C 7	6.0	4.1	2.9	2.4	1	170	8.1	48	2769	17.8	3.5	16	16
CDXH402 B 7	8.6	5.8	4.1	3.4	2	340	11.8	51	5691	23.7	4.2	16	16
CDXH402 C 7	11.8	8.0	5.7	4.7	2	340	11.5	51	5537	35.6	6.4	16	16
CDXH403 B 7	13.1	8.8	6.3	5.2	3	510	14.5	53	8537	35.6	6.2	16	16
CDXH403 C 7	18.0	12.2	8.7	7.2	3	510	14.1	53	8306	53.4	9.3	22	22
CDXH404 B 7	17.2	11.6	8.2	6.8	4	680	16.7	54	11380	47.5	8.1	22	22
CDXH404 C 7	23.7	16.0	11.4	9.4	4	680	16.3	54	11070	71.2	12.2	22	22
CDXH405 B 7	22.0	14.8	10.6	8.8	5	850	18.7	55	14230	59.3	10.1	22	22
CDXH405 C 7	29.7	20.1	14.3	11.9	5	850	18.2	55	13840	89.0	15.1	28	28
Fin spacing 7 mm, fan speed L													
CDXL401 B 7	3.4	2.3	1.6	1.4	1	75	5.3	41	1815	11.9	2.3	14	14
CDXL401 C 7	4.6	3.1	2.2	1.9	1	75	5.2	41	1760	17.8	3.5	16	16
CDXL402 B 7	6.8	4.6	3.3	2.7	2	150	7.5	44	3631	23.7	4.2	16	16
CDXL402 C 7	9.1	6.2	4.4	3.7	2	150	7.3	44	3520	35.6	6.4	16	16
CDXL403 B 7	10.3	7.0	5.0	4.1	3	225	9.2	46	5446	35.6	6.2	16	16
CDXL403 C 7	13.8	9.4	6.7	5.6	3	225	8.9	46	5280	53.4	9.3	22	22
CDXL404 B 7	13.6	9.2	6.5	5.4	4	300	10.7	47	7261	47.5	8.1	22	22
CDXL404 C 7	18.3	12.4	8.8	7.3	4	300	10.3	47	7039	71.2	12.2	22	22
CDXL405 B 7	17.2	11.7	8.3	6.9	5	375	11.9	48	9077	59.3	10.1	22	22
CDXL405 C 7	22.9	15.6	11.1	9.2	5	375	11.6	48	8799	89.0	15.1	28	28

* CO₂ refrigerant is not included in the Eurovent Certify All programme.

Dimensions

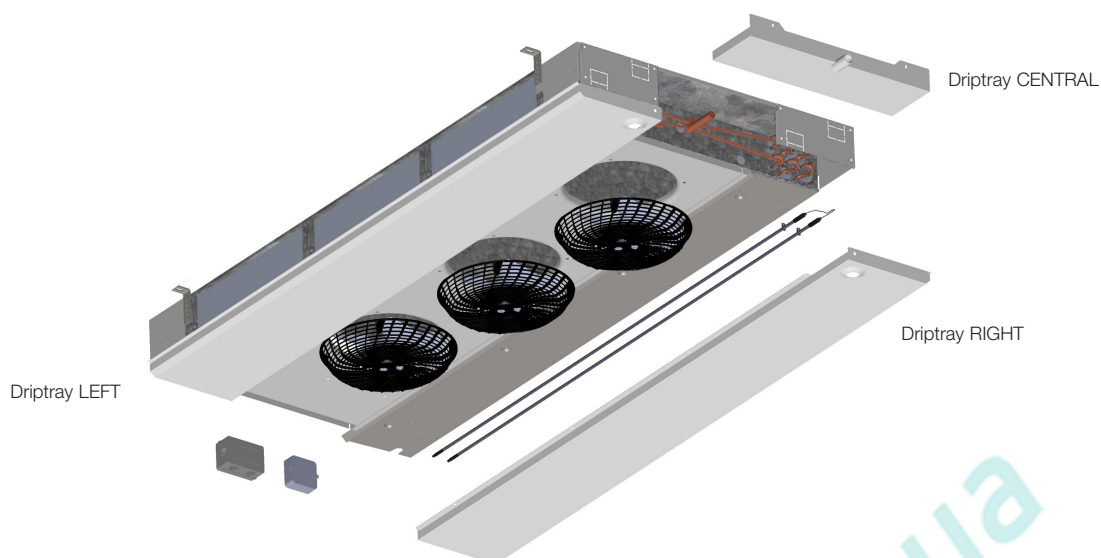
cooler model	Dimensions (mm)								Shipping volume m ³
	L	W	H1	H2	M	M1	M2	M3	
CD 301	949	1012	170	203	550	-	-	-	0.5
CD 302	1499	1012	170	203	1100	-	-	-	0.8
CD 303	2049	1012	170	203	1650	-	-	-	1.0
CD 304	2599	1012	170	203	2200	1100	1100	-	1.5
CD 401	1121	1160	350	400	820	-	-	-	1.1
CD 402	1910	1160	350	400	1609	-	-	-	1.8
CD 403	2700	1160	350	400	2399	-	-	-	2.6
CD 404	3490	1160	350	400	3190	1580	1610	-	3.2
CD 405	4280	1160	350	400	3980	1580	790	1610	3.9



Weights

Model	*Weight (kg)
CD301 B	29
CD301 C	31
CD302 B	36
CD302 C	38
CD303 B	52
CD303 C	54
CD304 B	64
CD304 C	66
CD401 B	56
CD401 C	56
CD402 B	96
CD402 C	106
CD403 B	137
CD403 C	154
CD404 B	178
CD404 C	202
CD405 B	219
CD405 C	250

* Weights for CD models with fin spacing 7 mm



Spare parts Optigo CD	Article number
Fan motors	
EC 230/50-60/1 H (CD300)	41101428SP
EC 230/50-60/1 L (CD300)	41101428SP
AC 230/50-60/1 H (CD400)	41101276SP
AC 230/50-60/1 L (CD400)	41101492SP
EC 230/50-60/1 H/L (CD400)	41103244SP
AC 400-460/50-60/3 H (CD400)	41101275SP
AC 400-460/50-60/3 L (CD400)	41101236SP
Electric defrost heater kits (all heaters, connection box & fixing materials)	
Kit Electrical heaters CD301	11100152
Kit Electrical heaters CD302	11100153
Kit Electrical heaters CD303	11100154
Kit Electrical heaters CD304	11100155
Kit Electrical heaters CD401B	11100157
Kit Electrical heaters CD401C	11100158
Kit Electrical heaters CD402B	11100159
Kit Electrical heaters CD402C	11100160
Kit Electrical heaters CD403B	11100161
Kit Electrical heaters CD403C	11100162
Kit Electrical heaters CD404B	11100163
Kit Electrical heaters CD404C	11100164
Kit Electrical heaters CD405B	11100165
Kit Electrical heaters CD405C	11100166

Spare parts Optigo CD	Article number
Driprays CD300	
Dripray CD301 LEFT	9460091560-9002SP
Dripray CD301 RIGHT	9460091565-9002SP
Dripray CD302 LEFT	9460091561-9002SP
Dripray CD302 RIGHT	9460091566-9002SP
Dripray CD303 LEFT	9460091562-9002SP
Dripray CD303 RIGHT	9460091567-9002SP
Dripray CD304 LEFT	9460091563-9002SP
Dripray CD304 RIGHT	9460091568-9002SP
Dripray CD300 CENTRAL	9460091572-9002SP
Driprays CD400	
Dripray CD401 RIGHT	9460101445-9002SP
Dripray CD401 LEFT	9460101446-9002SP
Dripray CD402 RIGHT	9460101447-9002SP
Dripray CD402 LEFT	9460101448-9002SP
Dripray CD403 RIGHT	9460101449-9002SP
Dripray CD403 LEFT	9460101450-9002SP
Dripray CD404 RIGHT	9460101451-9002SP
Dripray CD404 LEFT	9460101452-9002SP
Dripray CD405 RIGHT	9460101453-9002SP
Dripray CD405 LEFT	9460101454-9002SP
Dripray CD400 CENTRAL	9460101420-9002SP
Insulated driprays CD400	
Insulated dripray CD401 RIGHT	9460101463-9002SP
Insulated dripray CD401 LEFT	9460101464-9002SP
Insulated dripray CD402 RIGHT	9460101465-9002SP
Insulated dripray CD402 LEFT	9460101466-9002SP
Insulated dripray CD403 RIGHT	9460101467-9002SP
Insulated dripray CD403 LEFT	9460101468-9002SP
Insulated dripray CD404 RIGHT	9460101469-9002SP
Insulated dripray CD404 LEFT	9460101470-9002SP
Insulated dripray CD405 RIGHT	9460101471-9002SP
Insulated dripray CD405 LEFT	9460101472-9002SP
Insulated dripray CD400 CENTRAL	9460101421-9002SP

Alfa Laval in brief

Alfa Laval is a leading global provider of specialized products and engineered solutions.

Our equipment, systems and services are dedicated to helping customers optimize the performance of their processes. Time and time again.

We help our customers to heat, cool, separate and transport products such as oil, water, chemicals, beverages, food-stuffs, starch and pharmaceuticals.

Our worldwide organization works closely with customers in almost 100 countries to help them stay ahead.

How to contact Alfa Laval

Up-to-date contact details for all countries are always available on our corporate website at www.alfalaval.com. You can also download product information and selection software.



Optigo CD

Alfa Laval channel partner

