


cubigel[®]
compressors

Технический каталог

Агрегатов Cubigel



для коммерческих хладагентов
· R404A · R507

 ООО «Промхолод-Ровно»
(098) 111-73-73
(099) 111-61-63
(063) 111-64-63



HUAYI
COMPRESSOR
BARCELONA

Содержание

1. Средне и высоко температурные (НМВР) агрегаты

CML40TB_N - 0,43 кВт (-5/+32).....	3
CML45TB_N - 0,46 кВт (-5/+32).....	5
CML60TB_N - 0,58 кВт (-5/+32).....	7
CML80TB_N - 0,79 кВт (-5/+32).....	9
CML90FB_N - 0,91 кВт (-5/+32).....	11
CMPT12RA_N - 1,38 кВт (-5/+32).....	13
CMPT14RA_N - 1,56 кВт (-5/+32).....	15
CMX18TBa_M - 1,65 кВт (-5/+32).....	17
CMX21TBa_N - 1,79 кВт (-5/+32).....	19
CMS26TB_N - 2,61 кВт (-5/+32).....	21
CMS26TB_N 2F - 2,58 кВт (-5/+32).....	23
CMS34TB_M - 3,48 кВт (-5/+32).....	25
CMS34TB_M 2F - 3,22 кВт (-5/+32).....	27
CMS26T3_N "380В" - 2,72 кВт (-5/+32).....	29
CMS34T3_N "380В" - 3,29 кВт (-5/+32).....	31

2. Низкотемпературные (LBP) агрегаты

CML60FB_N - 0,28 кВт (-23,3/+32).....	33
CML80FB_N - 0,36 кВт (-23,3/+32).....	35
CML90FB_N - 0,42 кВт (-23,3/+32).....	37
CMPT12LA_N - 0,64 кВт (-23,3/+32).....	39
CMPT14LA_N - 0,74 кВт (-23,3/+32).....	41
CMX18FBA_N - 0,82 кВт (-23,3/+32).....	43
CMS26FB_N - 1,40 кВт (-23,3/+32).....	45
CMS34FB_N - 1,64 кВт (-23,3/+32).....	47

cubigel[®]
compressors



HUAYI
COMPRESSOR
BARCELONA

Condensing Unit Technical Data Sheet

Model CML40TB_N
Voltage 220-240V 50Hz ~1
Refrigerant R404A

APPLICATION

Application High-Medium Back Pressure
Refrigerant R404A
Evaporating Temp. -25,0 °C to 10,0 °C
Expansion Capillar/Valve
Comp. Cooling Fan cooled
Max. ambient temp. 43,0 °C

COMPRESSOR

Displacement 4,05 cm³
Diameter 20,88 mm
Stroke 11,83 mm
Oil type ISO VG 32 ESTER
Oil charge 300 cm³

MOTOR

Nominal Power 1/6 hp
Voltage/Frequency 220-240V 50Hz
Voltage range 187-264 V
Type CSIR
Phase number 1 PH
Locked Rotor Amps (LRA) 9,70 A
Max. Cont. Current (MCC) 3,20 A
Main W. resist. at 25°C 12,00 Ω
Start W. resist. at 25°C 30,00 Ω

NOMINAL PERFORMANCE

Cooling Capacity	621 W
COP	1,78 W/W
EER	1,53 kCal/Wh
Input Power	349 W
Current	2,02 A

ASHRAE

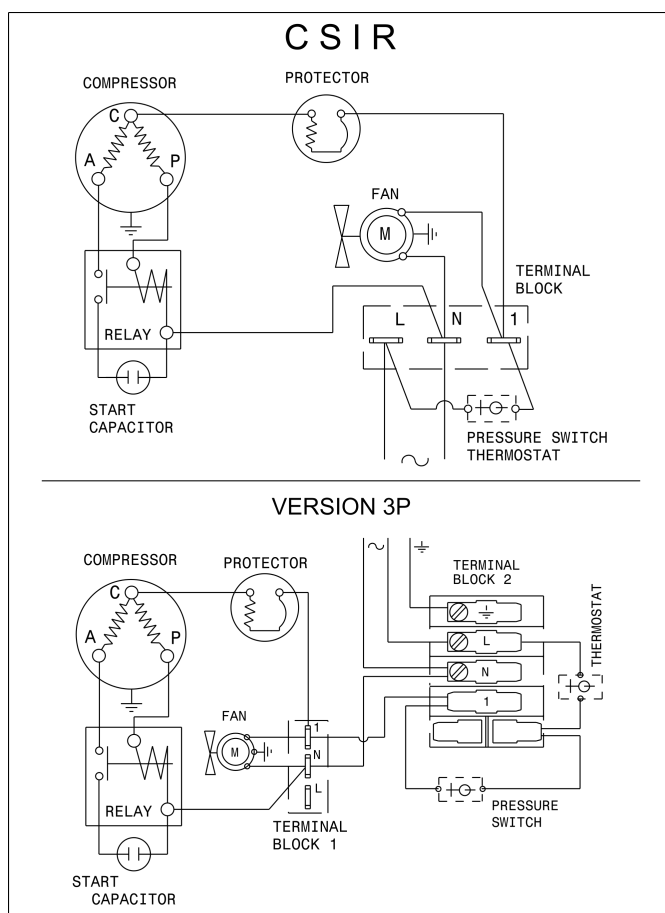
TEST CYCLE CONDITIONS

	HMBP
Evaporating temp. (T _e)	7,2 °C
Condensing temp. (T _c)	55,0 °C
Liquid temp. (T _{liq.})	46,0 °C
Ambient temp. (T _{amb.})	35,0 °C
Suction temp. (T _{suction})	35,0 °C
Voltage/Frequency	220 V 50 Hz

CONDENSER AND FAN DATA

Condenser type	CU-AL
Condenser model	8T 2R
Fan blade (Ø mm / °)	200 / 28
Fan motor	5W 230V 50/60Hz

WIRING DIAGRAM



REFRIGERATION CAPACITY (W) Evaporating Temperature (°C)

Model	Motor	-25	-15	-5	5	7.2			10
						W	Winp	A	
CML40TB_N	CSIR	199	300	428	583	621	349	2.02	671

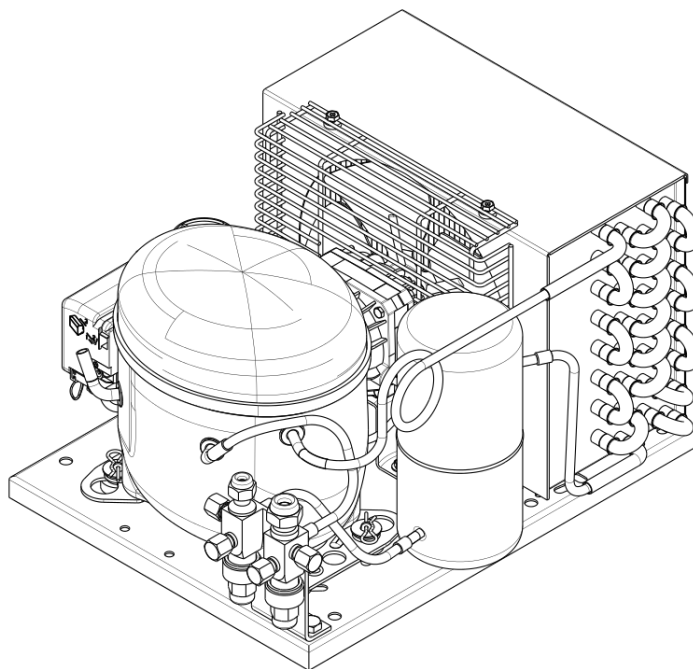
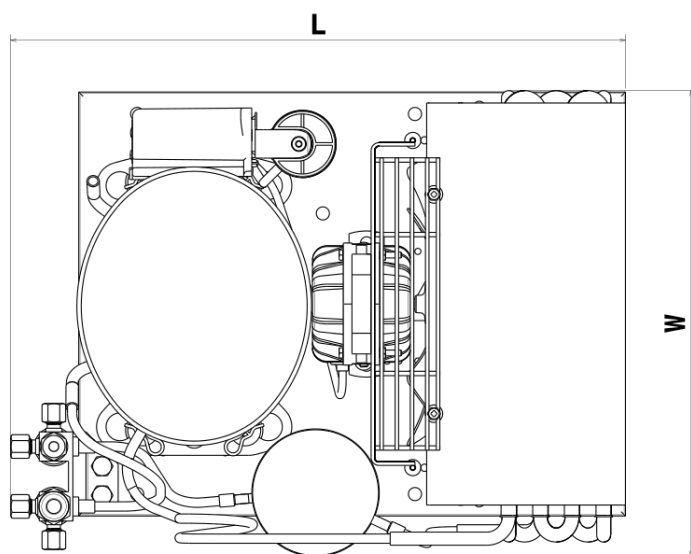
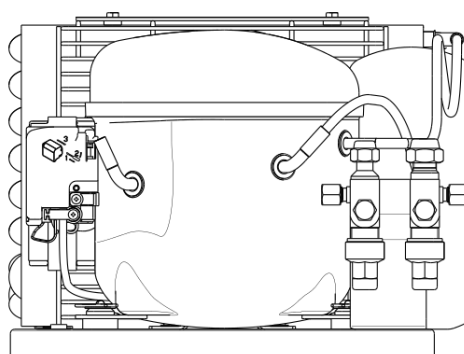
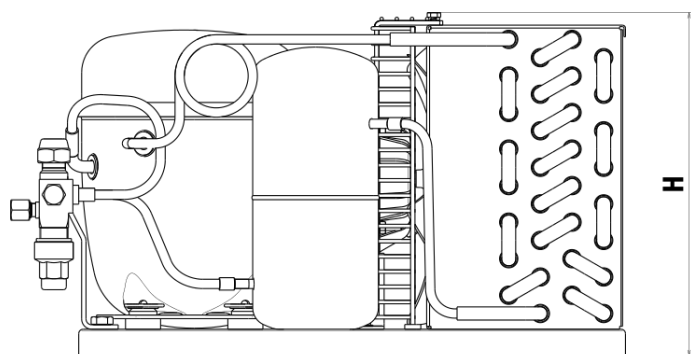
ASHRAE HMBP: Condensing temperature: 55°C, Liquid temperature: 46°C, Suction temperature: 35°C, Ambient temperature: 35°C

Condensing Unit Technical Data Sheet

VERSIONS

VERSION 1	VERSION 2	VERSION 3	VERSION 3P	VERSION 4
Tube	Service valve	Service valve and receiver	Service valve, receiver, pressure switch	Schrader valve on the service port
Suction tube internal diam.: 6,5 mm Discharge tube internal diam.: 4,9 mm Net Weight: 13,8 Kg	Suction valve: 3/8" Discharge valve: 1/4" Net Weight: 14,3 Kg	Receiver vol.: 0,9 l Suction valve: 3/8" Discharge valve: 1/4" Net Weight: 14,6 Kg	Receiver vol.: 0,9 l Suction valve: 3/8" Discharge valve: 1/4" Net Weight: 15,7 Kg	Suction tube internal diam.: 6,5 mm Discharge tube internal diam.: 4,9 mm Net Weight: 13,8 Kg

DIMENSIONS (Version 3 drawing)



VERSION 1-4 (WxLxH) (mm)	VERSION 2 (WxLxH) (mm)	VERSION 3 (WxLxH) (mm)	VERSION 3P (WxLxH) (mm)
305x385x235	315x425x235	320x425x235	330x435x245

Condensing Unit Technical Data Sheet

Model CML45TB_N
Voltage 220-240V 50Hz ~1
Refrigerant R404A

APPLICATION

Application High-Medium Back Pressure
Refrigerant R404A
Evaporating Temp. -25,0 °C to 10,0 °C
Expansion Capillar/Valve
Comp. Cooling Fan cooled
Max. ambient temp. 43,0 °C

COMPRESSOR

Displacement 4,56 cm³
Diameter 19,09 mm
Stroke 15,93 mm
Oil type ISO VG 32 ESTER
Oil charge 300 cm³

MOTOR

Nominal Power 1/5 hp
Voltage/Frequency 220-240V 50Hz
Voltage range 187-264 V
Type CSIR
Phase number 1 PH
Locked Rotor Amps (LRA) 9,70 A
Max. Cont. Current (MCC) 3,20 A
Main W. resist. at 25°C 12,00 Ω
Start W. resist. at 25°C 30,00 Ω

NOMINAL PERFORMANCE

Cooling Capacity	662 W
COP	1,72 W/W
EER	1,47 kCal/Wh
Input Power	386 W
Current	2,02 A

ASHRAE

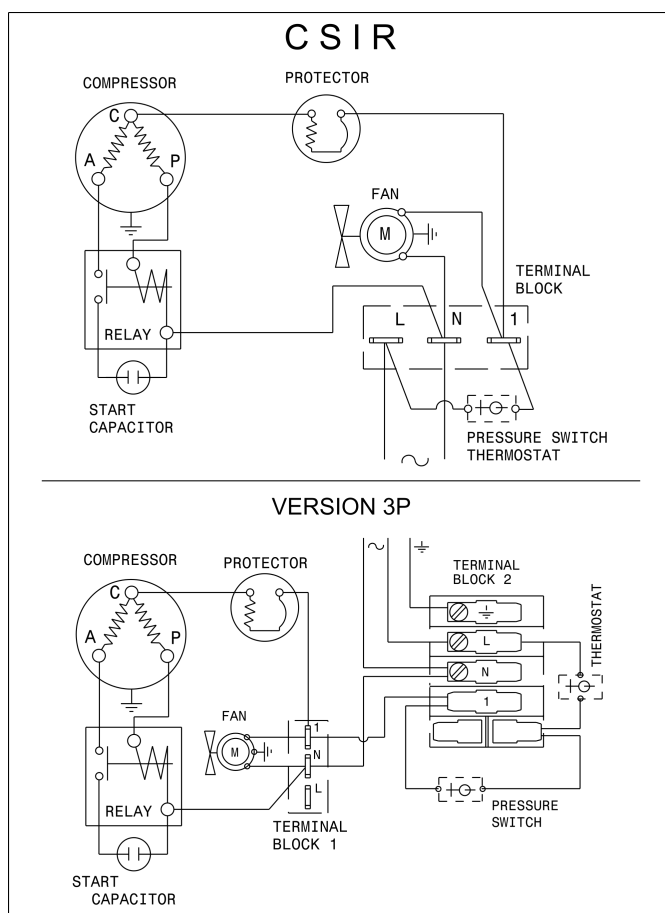
TEST CYCLE CONDITIONS

	HMBP
Evaporating temp. (T _e)	7,2 °C
Condensing temp. (T _c)	55,0 °C
Liquid temp. (T _{liq.})	46,0 °C
Ambient temp. (T _{amb.})	35,0 °C
Suction temp. (T _{suction})	35,0 °C
Voltage/Frequency	220 V 50 Hz

CONDENSER AND FAN DATA

Condenser type	CU-AL
Condenser model	8T 2R
Fan blade (Ø mm / °)	200 / 28
Fan motor	5W 230V 50/60Hz

WIRING DIAGRAM



REFRIGERATION CAPACITY (W) Evaporating Temperature (°C)

Model	Motor	-25	-15	-5	5	7.2			10
						W	Winp	A	
CML45TB_N	CSIR	215	328	464	623	662	386	2.02	712

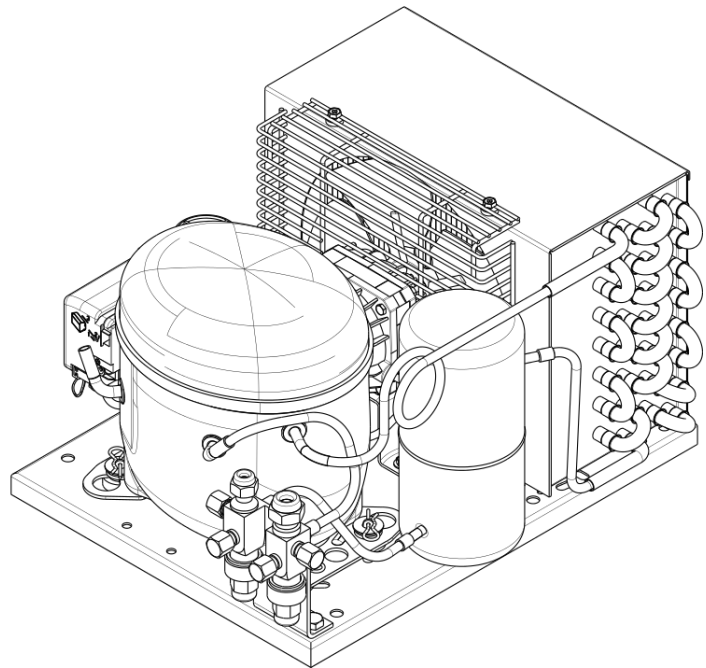
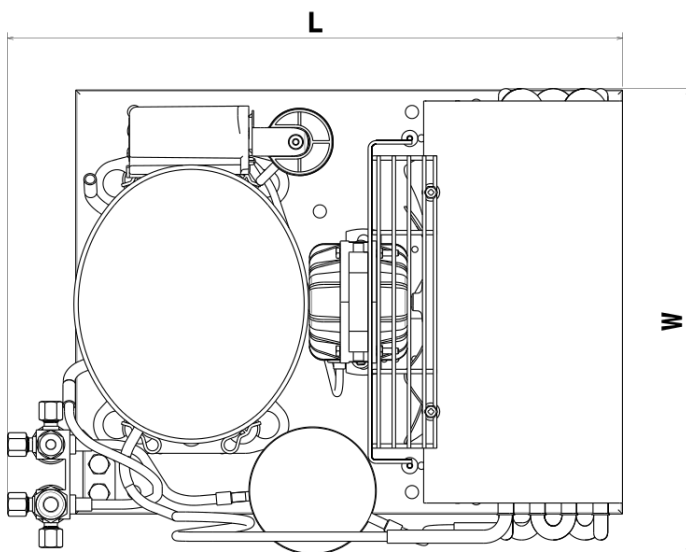
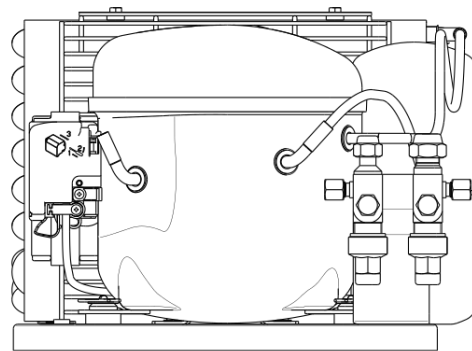
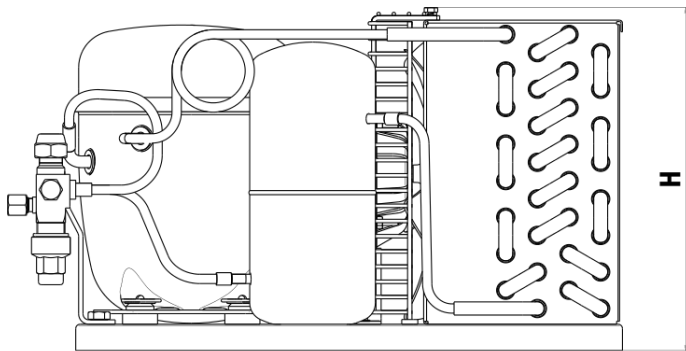
ASHRAE HMBP: Condensing temperature: 55°C, Liquid temperature: 46°C, Suction temperature: 35°C, Ambient temperature: 35°C

Condensing Unit Technical Data Sheet

VERSIONS

VERSION 1	VERSION 2	VERSION 3	VERSION 3P	VERSION 4
Tube	Service valve	Service valve and receiver	Service valve, receiver, pressure switch	Schrader valve on the service port
Suction tube internal diam.: 6,5 mm Discharge tube internal diam.: 4,9 mm Net Weight: 13,9 Kg	Suction valve: 3/8" Discharge valve: 1/4" Net Weight: 14,4 Kg	Receiver vol.: 0,9 l Suction valve: 3/8" Discharge valve: 1/4" Net Weight: 14,7 Kg	Receiver vol.: 0,9 l Suction valve: 3/8" Discharge valve: 1/4" Net Weight: 15,8 Kg	Suction tube internal diam.: 6,5 mm Discharge tube internal diam.: 4,9 mm Net Weight: 13,9 Kg

DIMENSIONS (Version 3 drawing)



VERSION 1-4 (WxLxH) (mm)	VERSION 2 (WxLxH) (mm)	VERSION 3 (WxLxH) (mm)	VERSION 3P (WxLxH) (mm)
305x385x235	315x425x235	320x425x235	330x435x245

Condensing Unit Technical Data Sheet

Model CML60TB_N
Voltage 220-240V 50Hz ~1
Refrigerant R404A

APPLICATION

Application High-Medium Back Pressure
Refrigerant R404A
Evaporating Temp. -25,0 °C to 10,0 °C
Expansion Capillar/Valve
Comp. Cooling Fan cooled
Max. ambient temp. 43,0 °C

COMPRESSOR

Displacement 5,68 cm³
Diameter 22,00 mm
Stroke 14,92 mm
Oil type ISO VG 32 ESTER
Oil charge 300 cm³

MOTOR

Nominal Power 1/4 hp
Voltage/Frequency 220-240V 50Hz
Voltage range 198-255 V
Type CSIR
Phase number 1 PH
Locked Rotor Amps (LRA) 10,60 A
Max. Cont. Current (MCC) 3,60 A
Main W. resist. at 25°C 10,00 Ω
Start W. resist. at 25°C 31,50 Ω

NOMINAL PERFORMANCE

Cooling Capacity	824 W
COP	1,72 W/W
EER	1,48 kCal/Wh
Input Power	479 W
Current	1,99 A

ASHRAE

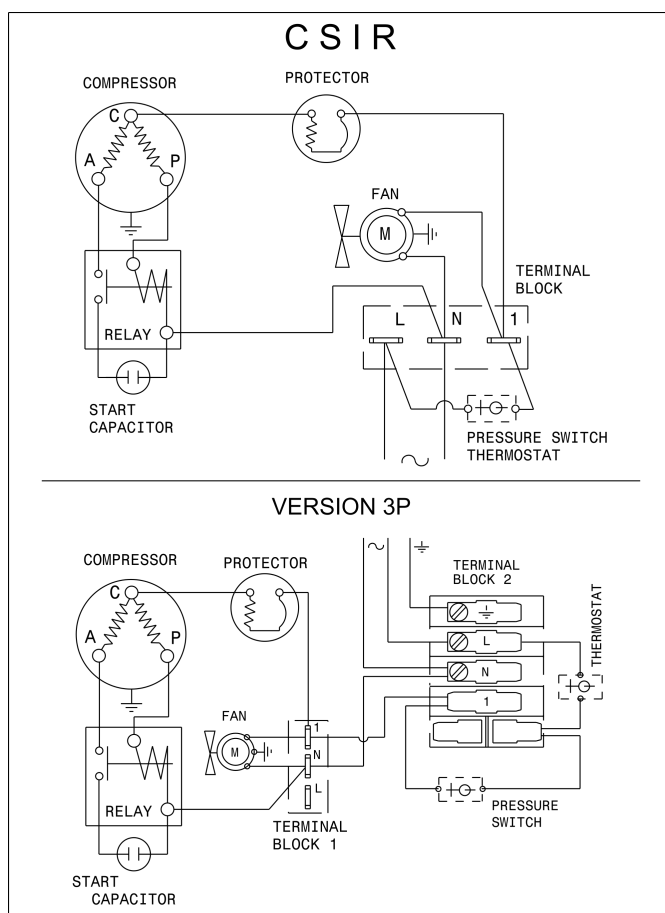
TEST CYCLE CONDITIONS

	HMBP
Evaporating temp. (T _e)	7,2 °C
Condensing temp. (T _c)	55,0 °C
Liquid temp. (T _{liq.})	46,0 °C
Ambient temp. (T _{amb.})	35,0 °C
Suction temp. (T _{suction})	35,0 °C
Voltage/Frequency	220 V 50 Hz

CONDENSER AND FAN DATA

Condenser type	CU-AL
Condenser model	8T 4R
Fan blade (Ø mm / °)	200 / 28
Fan motor	5W 230V 50/60Hz

WIRING DIAGRAM



REFRIGERATION CAPACITY (W) Evaporating Temperature (°C)

Model	Motor	-25	-15	-5	5	7.2			10
						W	Winp	A	
CML60TB_N	CSIR	266	409	579	777	824	479	1.99	886

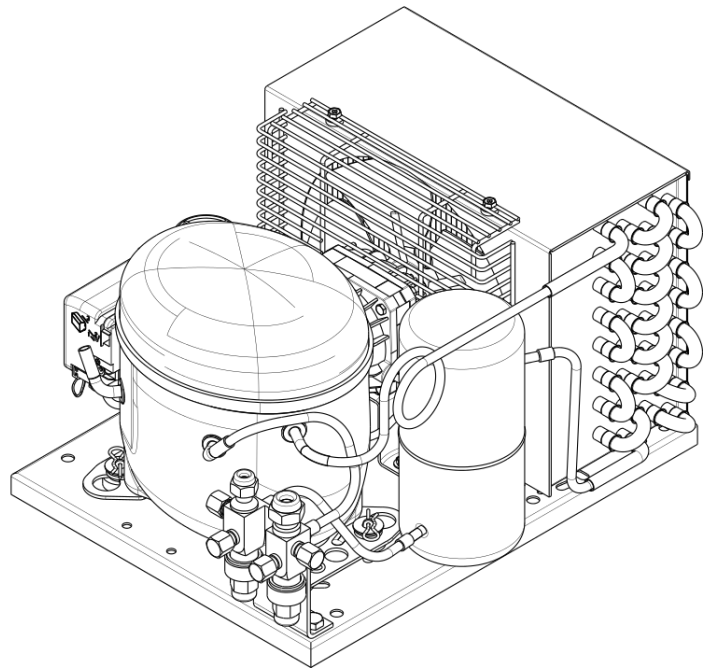
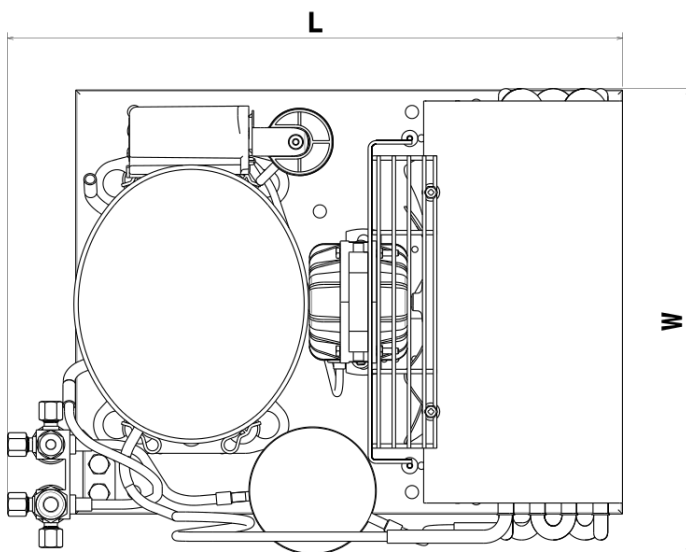
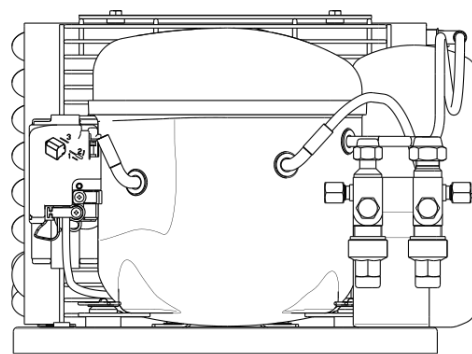
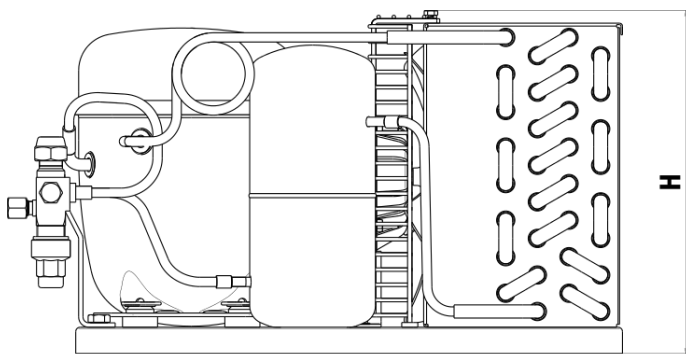
ASHRAE HMBP: Condensing temperature: 55°C, Liquid temperature: 46°C, Suction temperature: 35°C, Ambient temperature: 35°C

Condensing Unit Technical Data Sheet

VERSIONS

VERSION 1	VERSION 2	VERSION 3	VERSION 3P	VERSION 4
Tube	Service valve	Service valve and receiver	Service valve, receiver, pressure switch	Schrader valve on the service port
Suction tube internal diam.: 6,5 mm Discharge tube internal diam.: 4,9 mm Net Weight: 21,7 Kg	Suction valve: 3/8" Discharge valve: 1/4" Net Weight: 22,2 Kg	Receiver vol.: 0,9 l Suction valve: 3/8" Discharge valve: 1/4" Net Weight: 22,5 Kg	Receiver vol.: 0,9 l Suction valve: 3/8" Discharge valve: 1/4" Net Weight: 23,6 Kg	Suction tube internal diam.: 6,5 mm Discharge tube internal diam.: 4,9 mm Net Weight: 21,7 Kg

DIMENSIONS (Version 3 drawing)



VERSION 1-4 (WxLxH) (mm)	VERSION 2 (WxLxH) (mm)	VERSION 3 (WxLxH) (mm)	VERSION 3P (WxLxH) (mm)
315x385x235	315x425x235	320x425x235	330x435x245

Condensing Unit Technical Data Sheet

Model CML80TB_N
Voltage 220-240V 50Hz ~1
Refrigerant R404A

APPLICATION

Application High-Medium Back Pressure
Refrigerant R404A
Evaporating Temp. -25,0 °C to 10,0 °C
Expansion Capillar/Valve
Comp. Cooling Fan cooled
Max. ambient temp. 43,0 °C

COMPRESSOR

Displacement 7,57 cm³
Diameter 25,40 mm
Stroke 14,92 mm
Oil type ISO VG 32 ESTER
Oil charge 400 cm³

MOTOR

Nominal Power 3/8 hp
Voltage/Frequency 220-240V 50Hz
Voltage range 198-255 V
Type CSIR
Phase number 1 PH
Locked Rotor Amps (LRA) 12,80 A
Max. Cont. Current (MCC) 5,10 A
Main W. resist. at 25°C 7,75 Ω
Start W. resist. at 25°C 21,43 Ω

NOMINAL PERFORMANCE

	ASHRAE
Cooling Capacity	1.170 W
COP	2,05 W/W
EER	1,76 kCal/Wh
Input Power	572 W
Current	3,02 A

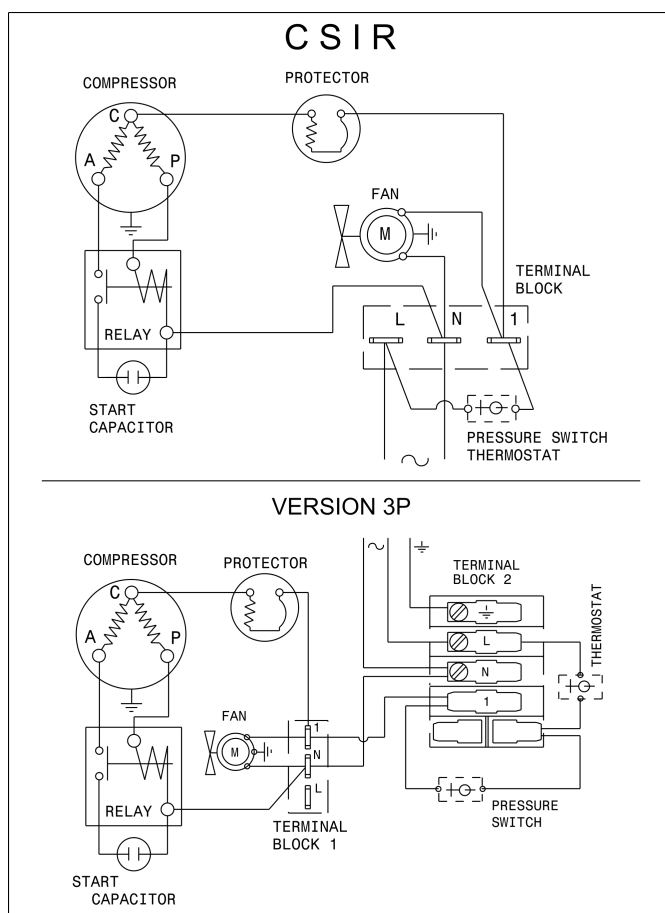
TEST CYCLE CONDITIONS

	HMBP
Evaporating temp. (T _e)	7,2 °C
Condensing temp. (T _c)	55,0 °C
Liquid temp. (T _{liq.})	46,0 °C
Ambient temp. (T _{amb.})	35,0 °C
Suction temp. (T _{suction})	35,0 °C
Voltage/Frequency	220 V 50 Hz

CONDENSER AND FAN DATA

Condenser type	CU-AL
Condenser model	9T 4R
Fan blade (Ø mm / °)	230 / 28
Fan motor	10W 230V 50/60Hz

WIRING DIAGRAM



REFRIGERATION CAPACITY (W) Evaporating Temperature (°C)

Model	Motor	-25	-15	-5	5	7.2			10
						W	Winp	A	
CML80TB_N	CSIR	408	567	795	1094	1170	572	3.02	1271

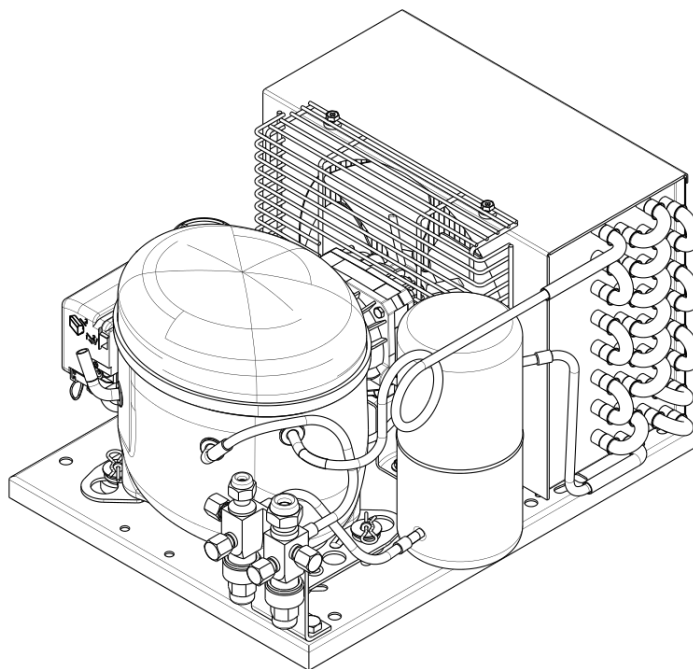
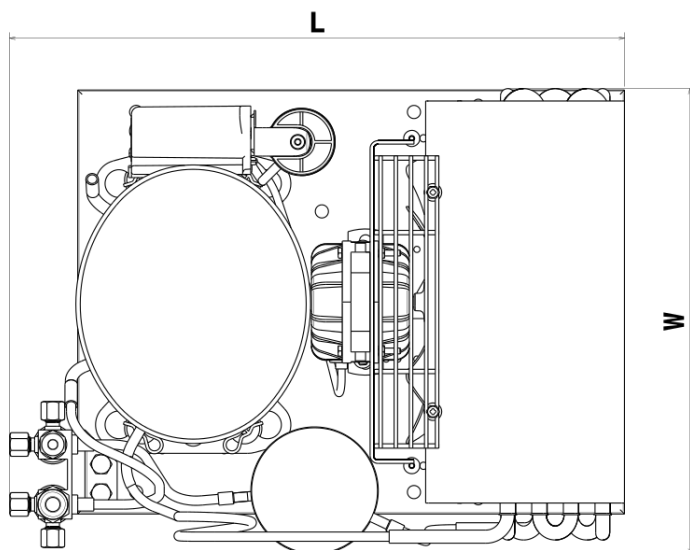
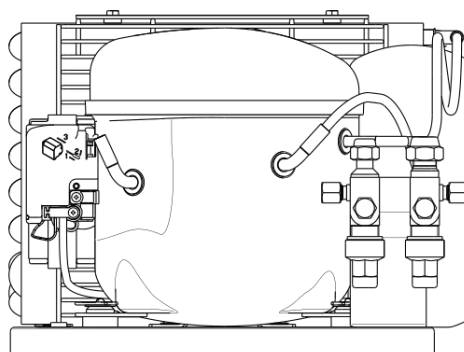
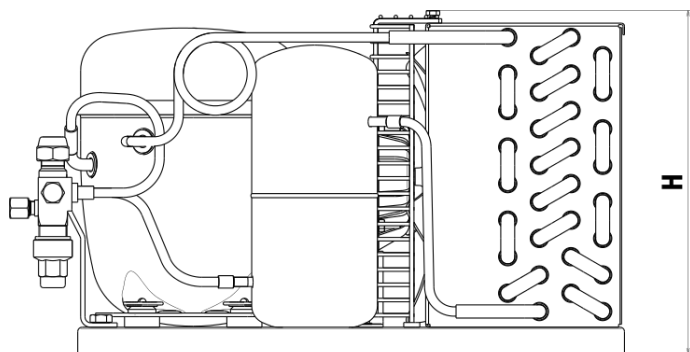
ASHRAE HMBP: Condensing temperature: 55°C, Liquid temperature: 46°C, Suction temperature: 35°C, Ambient temperature: 35°C

Condensing Unit Technical Data Sheet

VERSIONS

VERSION 1	VERSION 2	VERSION 3	VERSION 3P	VERSION 4
Tube	Service valve	Service valve and receiver	Service valve, receiver, pressure switch	Schrader valve on the service port
Suction tube internal diam.: 6,5 mm Discharge tube internal diam.: 4,9 mm Net Weight: 22,7 Kg	Suction valve: 3/8" Discharge valve: 1/4" Net Weight: 23,2 Kg	Receiver vol.: 0,9 l Suction valve: 3/8" Discharge valve: 1/4" Net Weight: 23,5 Kg	Receiver vol.: 0,9 l Suction valve: 3/8" Discharge valve: 1/4" Net Weight: 24,6 Kg	Suction tube internal diam.: 6,5 mm Discharge tube internal diam.: 4,9 mm Net Weight: 22,7 Kg

DIMENSIONS (Version 3 drawing)



VERSION 1-4 (WxLxH) (mm)	VERSION 2 (WxLxH) (mm)	VERSION 3 (WxLxH) (mm)	VERSION 3P (WxLxH) (mm)
325x415x275	325x455x275	330x455x275	340x465x275

Condensing Unit Technical Data Sheet

Model CML90FB_N
Voltage 220-240V 50Hz ~1
Refrigerant R404A

APPLICATION

Application Low Back Pressure
Refrigerant R404A
Evaporating Temp. -40,0 °C to -10,0 °C
Expansion Capillar/Valve
Comp. Cooling Fan cooled
Max. ambient temp. 43,0 °C

COMPRESSOR

Displacement 8,85 cm³
Diameter 25,40 mm
Stroke 17,47 mm
Oil type ISO VG 32 ESTER
Oil charge 400 cm³

MOTOR

Nominal Power 1/3 hp
Voltage/Frequency 220-240V 50Hz
Voltage range 198-255 V
Type CSIR
Phase number 1 PH
Locked Rotor Amps (LRA) 13,00 A
Max. Cont. Current (MCC) 3,00 A
Main W. resist. at 25°C 8,60 Ω
Start W. resist. at 25°C 27,80 Ω

NOMINAL PERFORMANCE

Cooling Capacity	419 W
COP	1,18 W/W
EER	1,01 kCal/Wh
Input Power	355 W
Current	1,99 A

ASHRAE

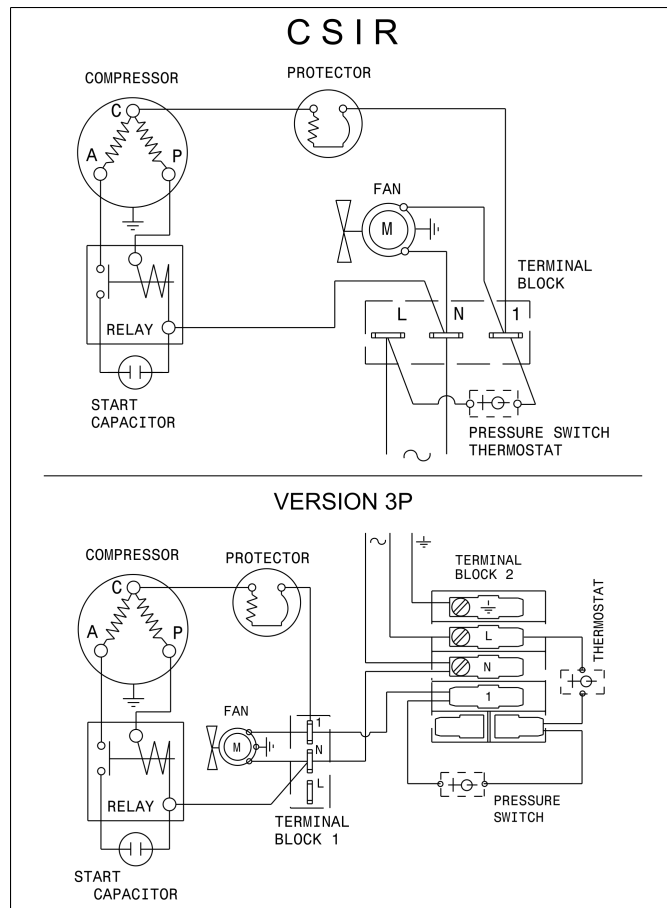
TEST CYCLE CONDITIONS

	LBP
Evaporating temp. (T _e)	-23,3 °C
Condensing temp. (T _c)	55,0 °C
Liquid temp. (T _{liq.})	32,0 °C
Ambient temp. (T _{amb.})	32,0 °C
Suction temp. (T _{suction})	32,0 °C
Voltage/Frequency	220 V 50 Hz

CONDENSER AND FAN DATA

Condenser type	CU-AL
Condenser model	8T 4R
Fan blade (Ø mm / °)	200 / 28
Fan motor	5W 230V 50/60Hz

WIRING DIAGRAM



REFRIGERATION CAPACITY (W) Evaporating Temperature (°C)

Model	Motor	-40	-35	-30	-25	-23.3			-10
						W	Winp	A	
CML90FB_N	CSIR	195	257	310	388	419	355	1.99	709

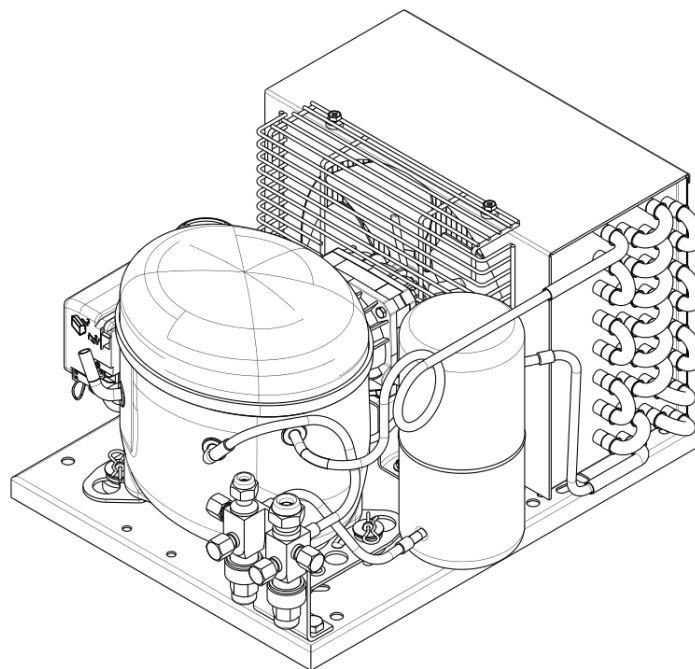
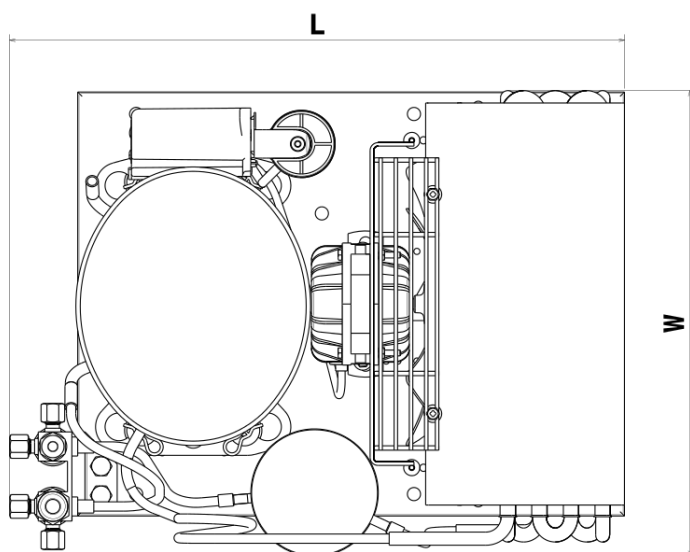
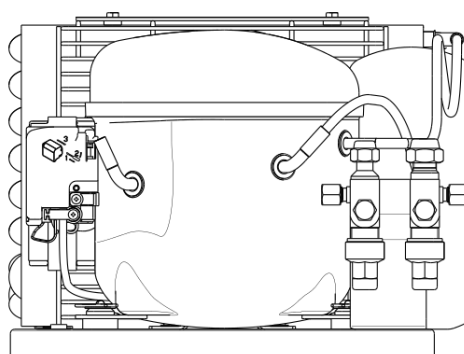
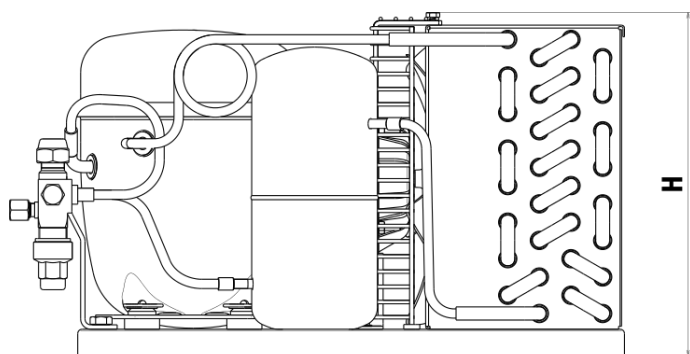
ASHRAE LBP: Condensing temperature: 55°C, Liquid temperature: 32°C, Suction temperature: 32°C, Ambient temperature: 32°C

Condensing Unit Technical Data Sheet

VERSIONS

VERSION 1	VERSION 2	VERSION 3	VERSION 3P	VERSION 4
Tube	Service valve	Service valve and receiver	Service valve, receiver, pressure switch	Schrader valve on the service port
Suction tube internal diam.: 6,5 mm Discharge tube internal diam.: 4,9 mm Net Weight: 18,4 Kg	Suction valve: 3/8" Discharge valve: 1/4" Net Weight: 18,9 Kg	Receiver vol.: 0,9 l Suction valve: 3/8" Discharge valve: 1/4" Net Weight: 19,2 Kg	Receiver vol.: 0,9 l Suction valve: 3/8" Discharge valve: 1/4" Net Weight: 20,3 Kg	Suction tube internal diam.: 6,5 mm Discharge tube internal diam.: 4,9 mm Net Weight: 18,4 Kg

DIMENSIONS (Version 3 drawing)



VERSION 1-4 (WxLxH) (mm)	VERSION 2 (WxLxH) (mm)	VERSION 3 (WxLxH) (mm)	VERSION 3P (WxLxH) (mm)
315x385x235	315x425x235	320x425x235	330x435x245

Condensing Unit Technical Data Sheet

Model CMPT12RA_N
Voltage 220-240V 50Hz ~1
Refrigerant R404A

APPLICATION

Application High-Medium Back Pressure
Refrigerant R404A
Evaporating Temp. -25,0 °C to 10,0 °C
Expansion Capillar/Valve
Comp. Cooling Fan cooled
Max. ambient temp. 43,0 °C

COMPRESSOR

Displacement 12,10 cm³
Diameter 27,00 mm
Stroke 21,13 mm
Oil type ISO VG 32 ESTER
Oil charge 400 cm³

MOTOR

Nominal Power 3/8 hp
Voltage/Frequency 220-240V 50Hz
Voltage range 198-255 V
Type CSR
Phase number 1 PH
Locked Rotor Amps (LRA) 18,50 A
Max. Cont. Current (MCC) 5,30 A
Main W. resist. at 25°C 5,19 Ω
Start W. resist. at 25°C 7,67 Ω

NOMINAL PERFORMANCE

Cooling Capacity	2.045 W
COP	2,55 W/W
EER	2,19 kCal/Wh
Input Power	803 W
Current	3,28 A

ASHRAE

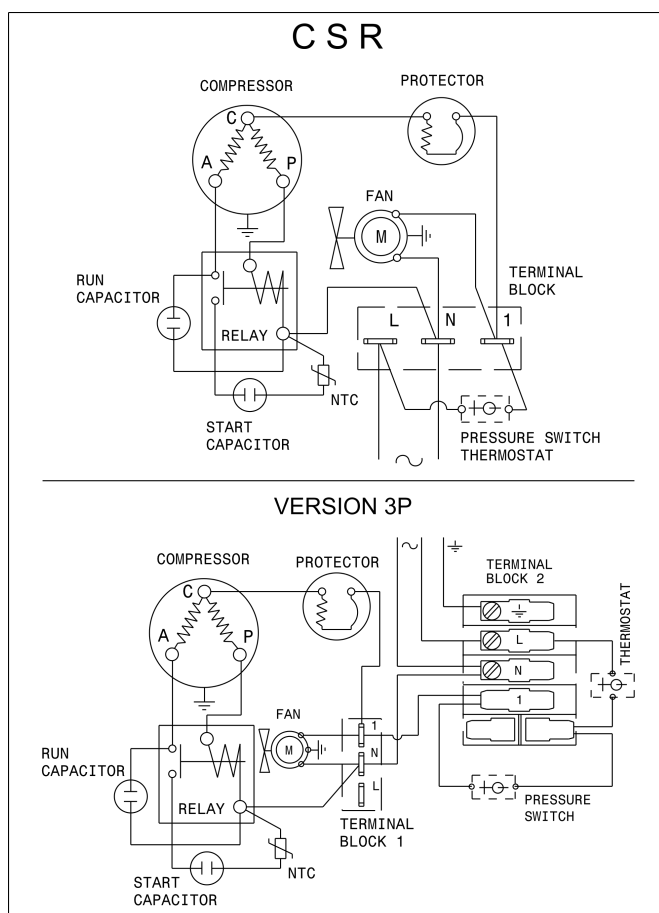
TEST CYCLE CONDITIONS

	HMBP
Evaporating temp. (T _e)	7,2 °C
Condensing temp. (T _c)	55,0 °C
Liquid temp. (T _{liq.})	46,0 °C
Ambient temp. (T _{amb.})	35,0 °C
Suction temp. (T _{suction})	35,0 °C
Voltage/Frequency	220 V 50 Hz

CONDENSER AND FAN DATA

Condenser type	CU-AL
Condenser model	12T 4R
Fan blade (Ø mm / °)	300 / 25
Fan motor	25W 220-240V 50/60Hz

WIRING DIAGRAM



REFRIGERATION CAPACITY (W) Evaporating Temperature (°C)

Model	Motor	-25	-15	-5	5	7.2			10
						W	Winp	A	
CMPT12RA_N	CSR	623	958	1386	1916	2045	803	3.28	2218

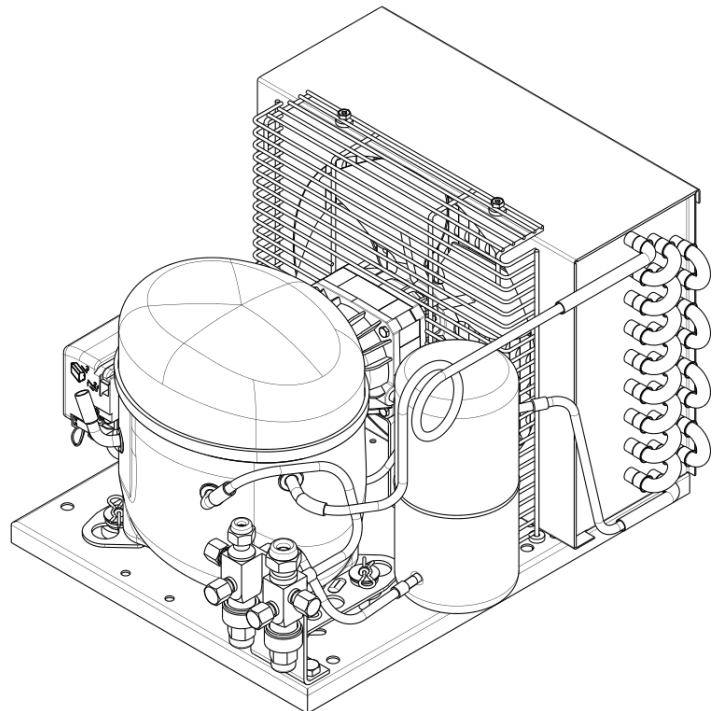
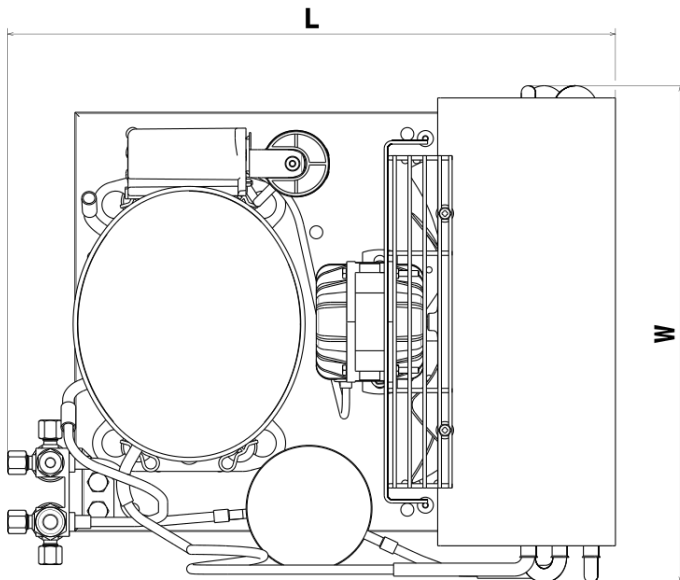
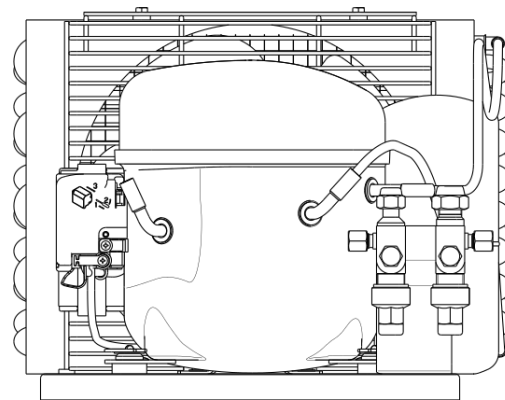
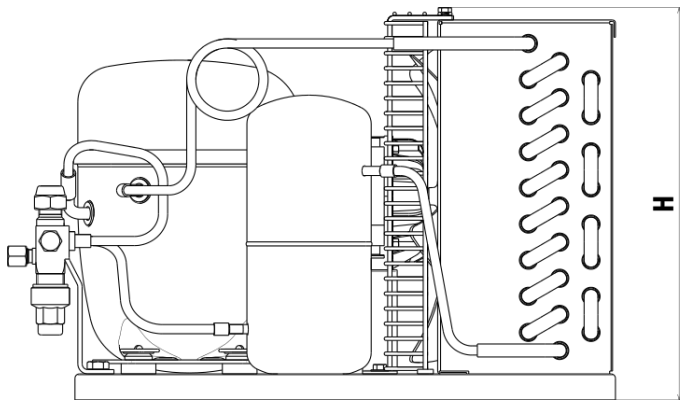
ASHRAE HMBP: Condensing temperature: 55°C, Liquid temperature: 46°C, Suction temperature: 35°C, Ambient temperature: 35°C

Condensing Unit Technical Data Sheet

VERSIONS

VERSION 1	VERSION 2	VERSION 3	VERSION 3P	VERSION 4
Tube	Service valve	Service valve and receiver	Service valve, receiver, pressure switch	Schrader valve on the service port
Suction tube internal diam.: 8,1 mm Discharge tube internal diam.: 6,5 mm Net Weight: 27,2 Kg	Suction valve: 3/8" Discharge valve: 3/8" Net Weight: 27,6 Kg	Receiver vol.: 2,4 l Suction valve: 3/8" Discharge valve: 3/8" Net Weight: 28,9 Kg	Receiver vol.: 2,4 l Suction valve: 3/8" Discharge valve: 3/8" Net Weight: 30,0 Kg	Suction tube internal diam.: 8,1 mm Discharge tube internal diam.: 6,5 mm Net Weight: 27,2 Kg

DIMENSIONS (Version 3 drawing)



VERSION 1-4 (WxLxH) (mm)	VERSION 2 (WxLxH) (mm)	VERSION 3 (WxLxH) (mm)	VERSION 3P (WxLxH) (mm)
430x500x350	430x520x350	435x520x350	435x530x350

Condensing Unit Technical Data Sheet

Model CMPT14RA_N
Voltage 220-240V 50Hz ~1
Refrigerant R404A

APPLICATION

Application High Back Pressure
Refrigerant R404A
Evaporating Temp. -15,0 °C to 10,0 °C
Expansion Capillar/Valve
Comp. Cooling Fan cooled
Max. ambient temp. 43,0 °C

COMPRESSOR

Displacement 14,32 cm³
Diameter 29,37 mm
Stroke 21,13 mm
Oil type ISO VG 32 ESTER
Oil charge 400 cm³

MOTOR

Nominal Power 1/2 hp
Voltage/Frequency 220-240V 50Hz
Voltage range 198-255 V
Type CSR
Phase number 1 PH
Locked Rotor Amps (LRA) 21,00 A
Max. Cont. Current (MCC) 6,50 A
Main W. resist. at 25°C 4,50 Ω
Start W. resist. at 25°C 5,75 Ω

NOMINAL PERFORMANCE

Cooling Capacity	2.306 W
COP	2,38 W/W
EER	2,05 kCal/Wh
Input Power	967 W
Current	3,94 A

ASHRAE

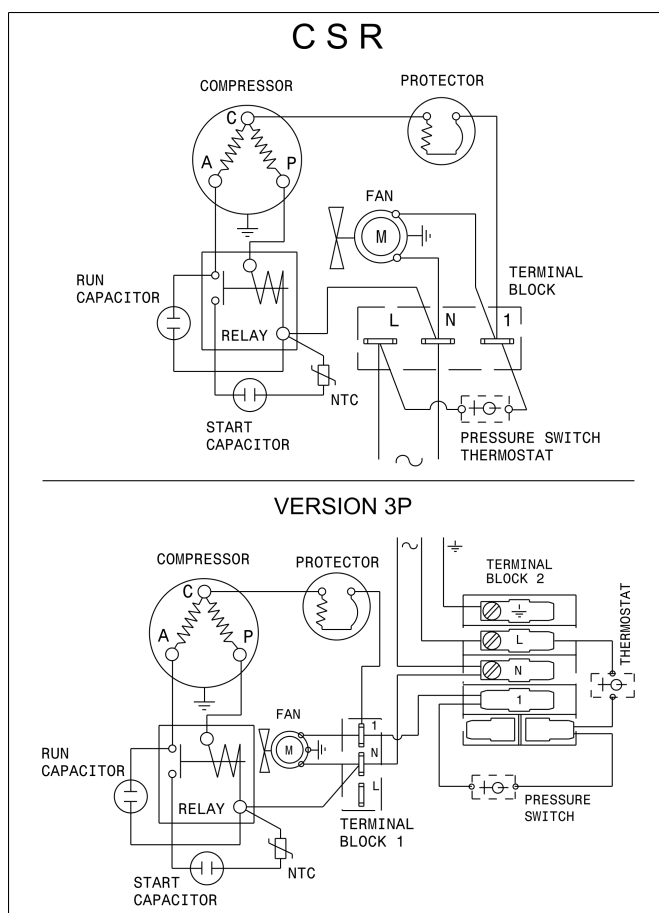
TEST CYCLE CONDITIONS

	HBP
Evaporating temp. (T _e)	7,2 °C
Condensing temp. (T _c)	55,0 °C
Liquid temp. (T _{liq.})	46,0 °C
Ambient temp. (T _{amb.})	35,0 °C
Suction temp. (T _{suction})	35,0 °C
Voltage/Frequency	220 V 50 Hz

CONDENSER AND FAN DATA

Condenser type	CU-AL
Condenser model	12T 4R
Fan blade (Ø mm / °)	300 / 25
Fan motor	25W 220-240V 50/60Hz

WIRING DIAGRAM



REFRIGERATION CAPACITY (W) Evaporating Temperature (°C)

Model	Motor	-25	-15	-5	5	7.2			10
						W	Winp	A	
CMPT14RA_N	CSR	702	1080	1563	2161	2306	967	3.94	2501

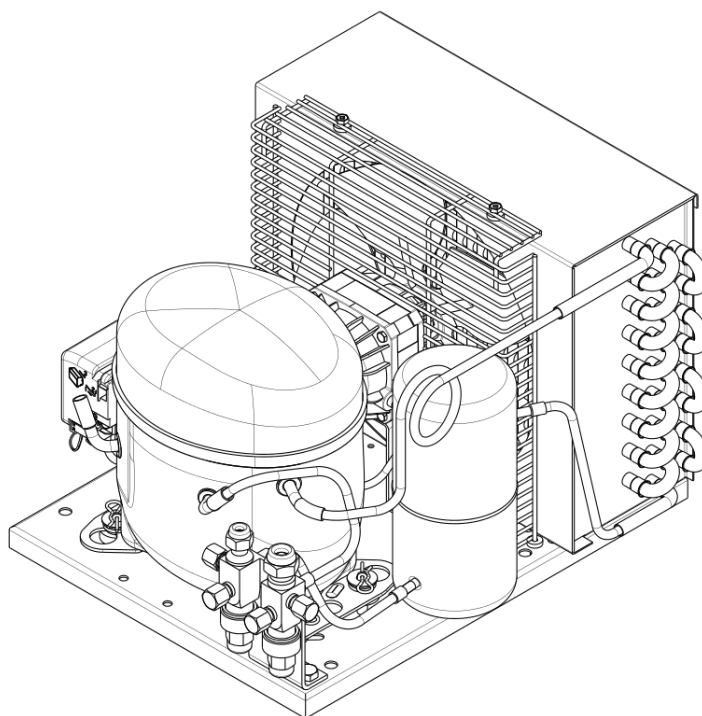
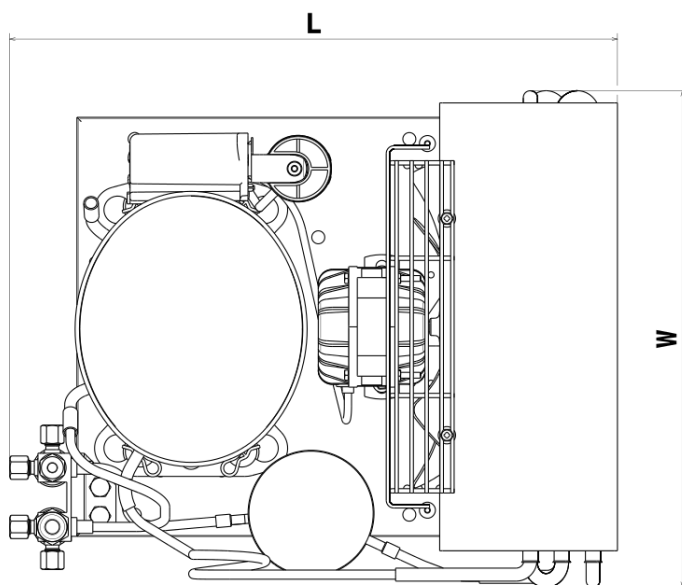
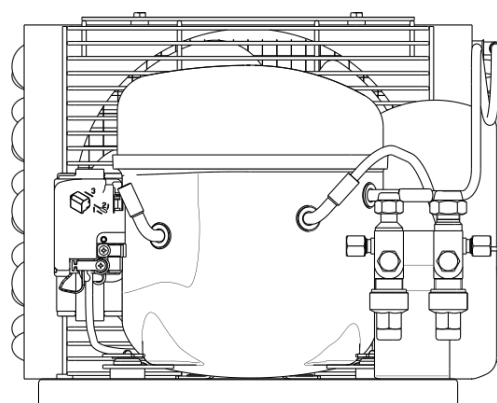
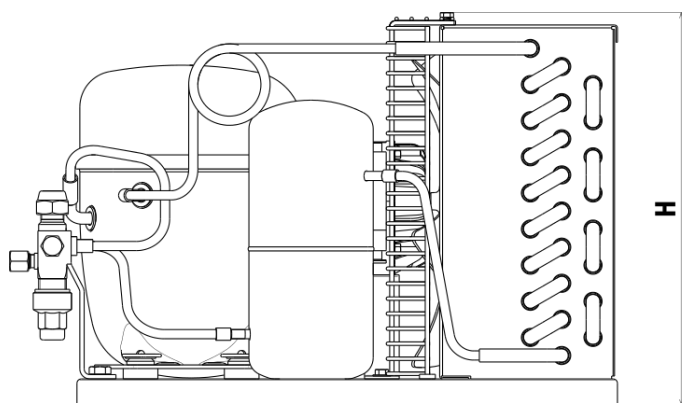
ASHRAE HBP: Condensing temperature: 55°C, Liquid temperature: 46°C, Suction temperature: 35°C, Ambient temperature: 35°C

Condensing Unit Technical Data Sheet

VERSIONS

VERSION 1	VERSION 2	VERSION 3	VERSION 3P	VERSION 4
Tube	Service valve	Service valve and receiver	Service valve, receiver, pressure switch	Schrader valve on the service port
Suction tube internal diam.: 8,1 mm Discharge tube internal diam.: 6,5 mm Net Weight: 27,7 Kg	Suction valve: 3/8" Discharge valve: 3/8" Net Weight: 28,1 Kg	Receiver vol.: 2,4 l Suction valve: 3/8" Discharge valve: 3/8" Net Weight: 29,9 Kg	Receiver vol.: 2,4 l Suction valve: 3/8" Discharge valve: 3/8" Net Weight: 31,0 Kg	Suction tube internal diam.: 8,1 mm Discharge tube internal diam.: 6,5 mm Net Weight: 27,7 Kg

DIMENSIONS (Version 3 drawing)



VERSION 1-4 (WxLxH) (mm)	VERSION 2 (WxLxH) (mm)	VERSION 3 (WxLxH) (mm)	VERSION 3P (WxLxH) (mm)
430x500x350	430x520x350	435x520x350	435x530x350

Condensing Unit Technical Data Sheet

Model CMX18TBa_M
Voltage 220-240V 50Hz ~1
Refrigerant R404A

APPLICATION

Application High-Medium Back Pressure
Refrigerant R404A
Evaporating Temp. -25,0 °C to 10,0 °C
Expansion Capillar/Valve
Comp. Cooling Fan cooled
Max. ambient temp. 38,0 °C

COMPRESSOR

Displacement 18,40 cm³
Diameter 34,93 mm
Stroke 19,20 mm
Oil type ISO VG 32 ESTER
Oil charge 500 cm³

MOTOR

Nominal Power 7/8 hp
Voltage/Frequency 220-240V 50Hz
Voltage range 187-255 V
Type CSR
Phase number 1 PH
Locked Rotor Amps (LRA) 34,50 A
Max. Cont. Current (MCC) 9,00 A
Main W. resist. at 25°C 2,34 Ω
Start W. resist. at 25°C 7,22 Ω

NOMINAL PERFORMANCE

Cooling Capacity	2.228 W
COP	1,62 W/W
EER	1,39 kCal/Wh
Input Power	1.375 W
Current	6,01 A

ASHRAE

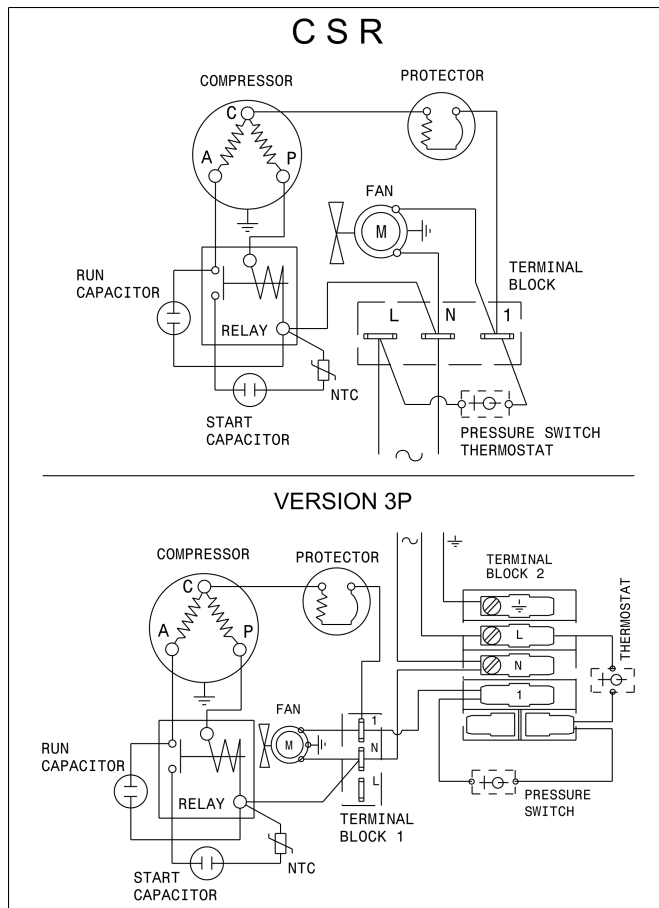
TEST CYCLE CONDITIONS

	HMBP
Evaporating temp. (T _e)	7,2 °C
Condensing temp. (T _c)	55,0 °C
Liquid temp. (T _{liq.})	46,0 °C
Ambient temp. (T _{amb.})	35,0 °C
Suction temp. (T _{suction})	35,0 °C
Voltage/Frequency	220 V 50 Hz

CONDENSER AND FAN DATA

Condenser type	CU-AL
Condenser model	12T 4R
Fan blade (Ø mm / °)	300 / 25
Fan motor	25W 220-240V 50/60Hz

WIRING DIAGRAM



REFRIGERATION CAPACITY (W) Evaporating Temperature (°C)

Model	Motor	-25	-15	-5	5	7.2			10
						W	Winp	A	
CMX18TBa_M	CSR	-	1206	1650	2121	2228	1375	6.01	2367

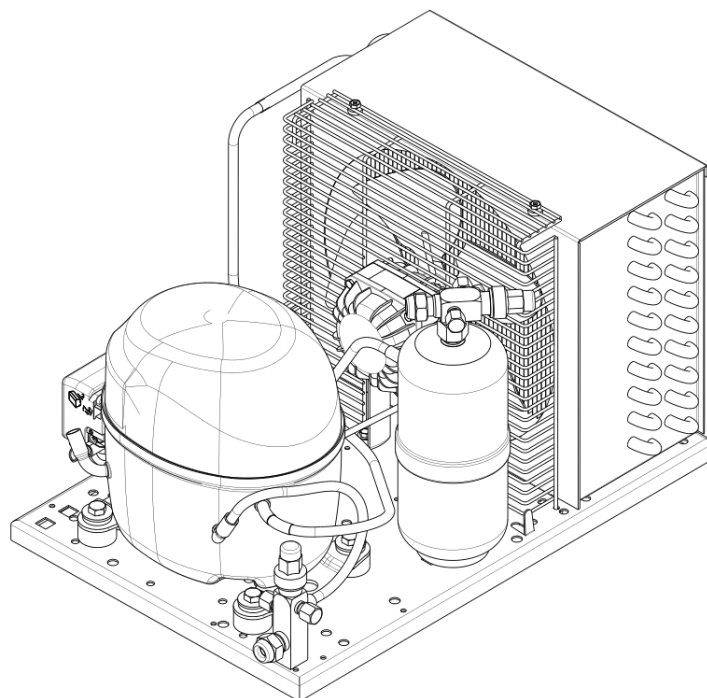
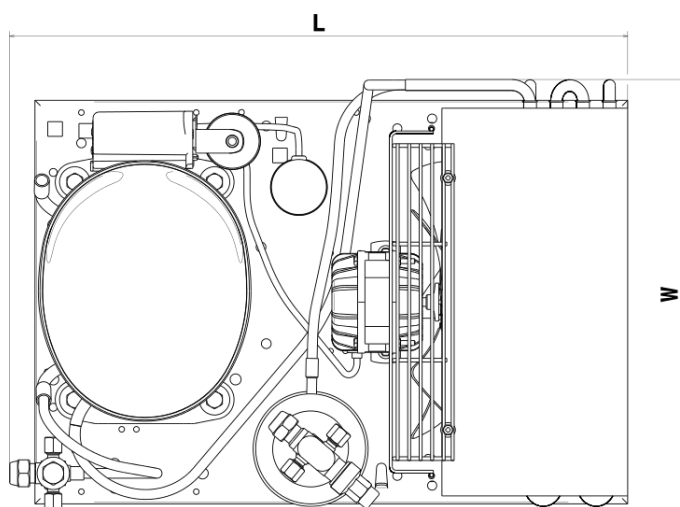
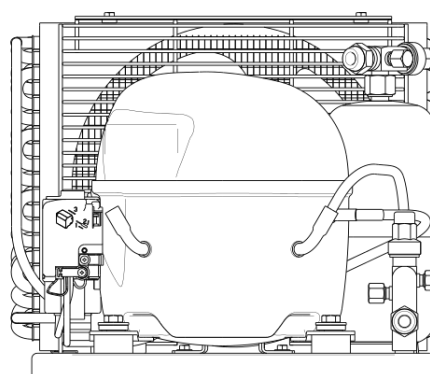
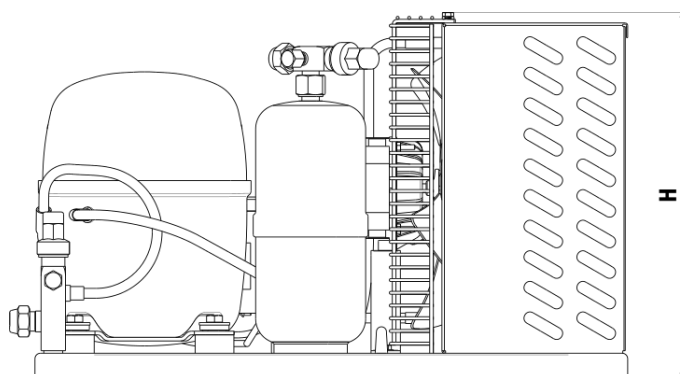
ASHRAE HMBP: Condensing temperature: 55°C, Liquid temperature: 46°C, Suction temperature: 35°C, Ambient temperature: 35°C

Condensing Unit Technical Data Sheet

VERSIONS

VERSION 1	VERSION 2	VERSION 3	VERSION 3P	VERSION 4
Tube	Service valve	Service valve and receiver	Service valve, receiver, pressure switch	Schrader valve on the service port
Suction tube internal diam.: 9,7 mm Discharge tube internal diam.: 6,5 mm Net Weight: 30,8 Kg	Suction valve: 3/8" Discharge valve: 3/8" Net Weight: 31,2 Kg	Receiver vol.: 2,4 l Suction valve: 3/8" Discharge valve: 3/8" Net Weight: 33,0 Kg	Receiver vol.: 2,4 l Suction valve: 3/8" Discharge valve: 3/8" Net Weight: 34,1 Kg	Suction tube internal diam.: 9,7 mm Discharge tube internal diam.: 6,5 mm Net Weight: 30,8 Kg

DIMENSIONS (Version 3 drawing)



VERSION 1-4 (WxLxH) (mm)	VERSION 2 (WxLxH) (mm)	VERSION 3 (WxLxH) (mm)	VERSION 3P (WxLxH) (mm)
430x505x355	430x525x355	435x525x355	435x530x355

Condensing Unit Technical Data Sheet

Model CMX21TBa_N
Voltage 220-240V 50Hz ~1
Refrigerant R404A

APPLICATION

Application High-Medium Back Pressure
Refrigerant R404A
Evaporating Temp. -25,0 °C to 10,0 °C
Expansion Capillar/Valve
Comp. Cooling Fan cooled
Max. ambient temp. 43,0 °C

COMPRESSOR

Displacement 20,72 cm³
Diameter 34,93 mm
Stroke 21,62 mm
Oil type ISO VG 32 ESTER
Oil charge 500 cm³

MOTOR

Nominal Power 1 hp
Voltage/Frequency 220-240V 50Hz
Voltage range 198-255 V
Type CSR
Phase number 1 PH
Locked Rotor Amps (LRA) 37,00 A
Max. Cont. Current (MCC) 9,60 A
Main W. resist. at 25°C 2,14 Ω
Start W. resist. at 25°C 6,24 Ω

NOMINAL PERFORMANCE

Cooling Capacity	2.603 W
COP	1,88 W/W
EER	1,62 kCal/Wh
Input Power	1.384 W
Current	6,00 A

ASHRAE

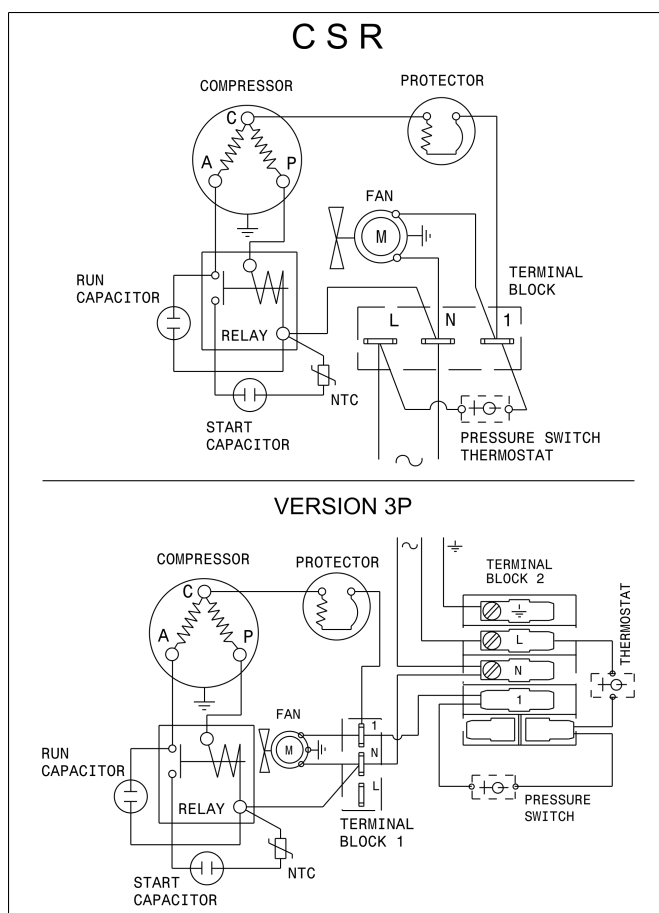
TEST CYCLE CONDITIONS

	HMBP
Evaporating temp. (T _e)	7,2 °C
Condensing temp. (T _c)	55,0 °C
Liquid temp. (T _{liq.})	46,0 °C
Ambient temp. (T _{amb.})	35,0 °C
Suction temp. (T _{suction})	35,0 °C
Voltage/Frequency	220 V 50 Hz

CONDENSER AND FAN DATA

Condenser type	CU-AL
Condenser model	16T 4R
Fan blade (Ø mm / °)	300 / 27
Fan motor	25W 220-240V 50/60Hz

WIRING DIAGRAM



REFRIGERATION CAPACITY (W) Evaporating Temperature (°C)

Model	Motor	-25	-15	-5	5	7.2			10
						W	Winp	A	
CMX21TBa_N	CSR	-	1265	1798	2445	2603	1384	6	2812

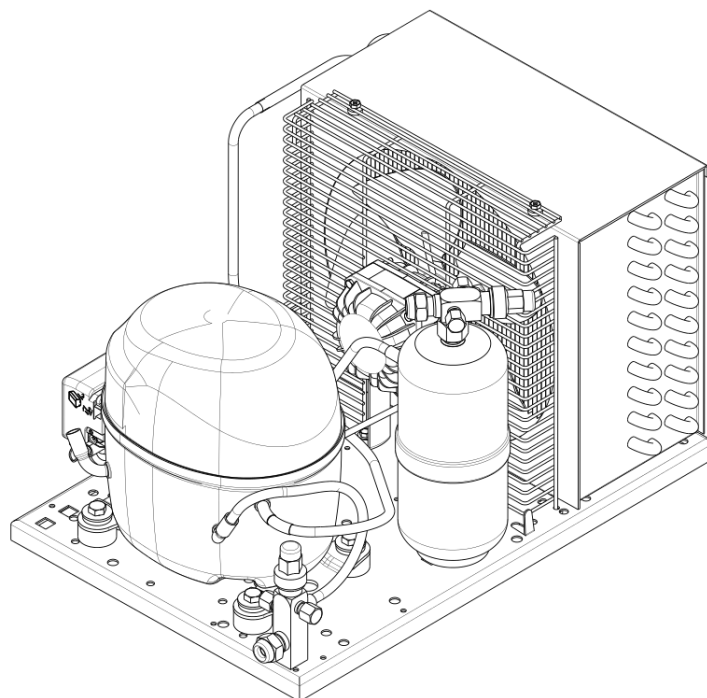
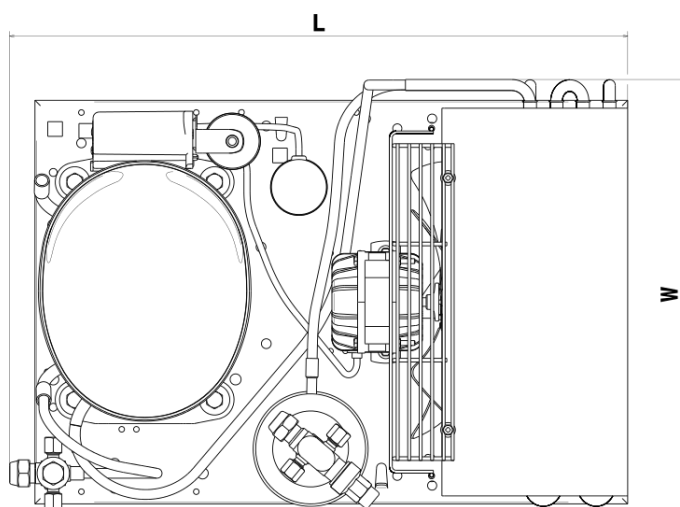
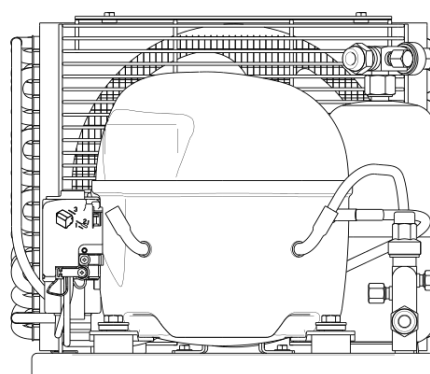
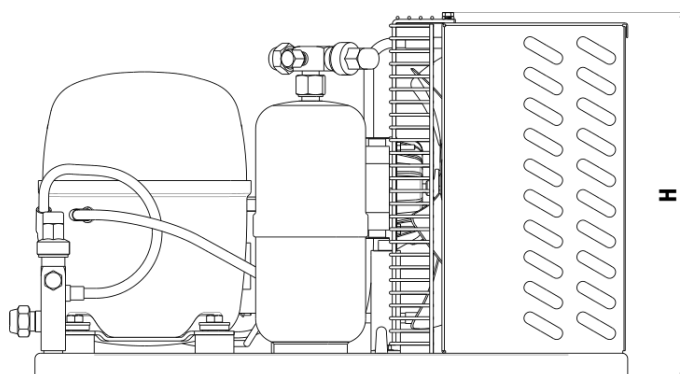
ASHRAE HMBP: Condensing temperature: 55°C, Liquid temperature: 46°C, Suction temperature: 35°C, Ambient temperature: 35°C

Condensing Unit Technical Data Sheet

VERSIONS

VERSION 1	VERSION 2	VERSION 3	VERSION 3P	VERSION 4
Tube	Service valve	Service valve and receiver	Service valve, receiver, pressure switch	Schrader valve on the service port
Suction tube internal diam.: 9,7 mm Discharge tube internal diam.: 6,5 mm Net Weight: 33,7 Kg	Suction valve: 1/2" Discharge valve: 3/8" Net Weight: 34,3 Kg	Receiver vol.: 2,4 l Suction valve: 1/2" Discharge valve: 3/8" Net Weight: 36,0 Kg	Receiver vol.: 2,4 l Suction valve: 1/2" Discharge valve: 3/8" Net Weight: 37,1 Kg	Suction tube internal diam.: 9,7 mm Discharge tube internal diam.: 6,5 mm Net Weight: 33,7 Kg

DIMENSIONS (Version 3 drawing)



VERSION 1-4 (WxLxH) (mm)	VERSION 2 (WxLxH) (mm)	VERSION 3 (WxLxH) (mm)	VERSION 3P (WxLxH) (mm)
460x495x445	460x520x445	460x520x445	460x520x445

Condensing Unit Technical Data Sheet

Model CMS26TB_N
Voltage 220-240V 50Hz ~1
Refrigerant R404A

APPLICATION

Application High-Medium Back Pressure
Refrigerant R404A
Evaporating Temp. -25,0 °C to 10,0 °C
Expansion Capillar/Valve
Comp. Cooling Fan cooled
Max. ambient temp. 43,0 °C

COMPRESSOR

Displacement 25,93 cm³
Diameter 39,98 mm
Stroke 20,65 mm
Oil type ISO VG 46 ESTER
Oil charge 887 cm³

MOTOR

Nominal Power 1 3/8 hp
Voltage/Frequency 220-240V 50Hz
Voltage range 187-255 V
Type CSR
Phase number 1 PH
Locked Rotor Amps (LRA) 38,00 A
Max. Cont. Current (MCC) 11,50 A
Main W. resist. at 25°C 1,65 Ω
Start W. resist. at 25°C 4,90 Ω

NOMINAL PERFORMANCE

Cooling Capacity	3.668 W
COP	2,06 W/W
EER	1,77 kCal/Wh
Input Power	1.778 W
Current	8,03 A

ASHRAE

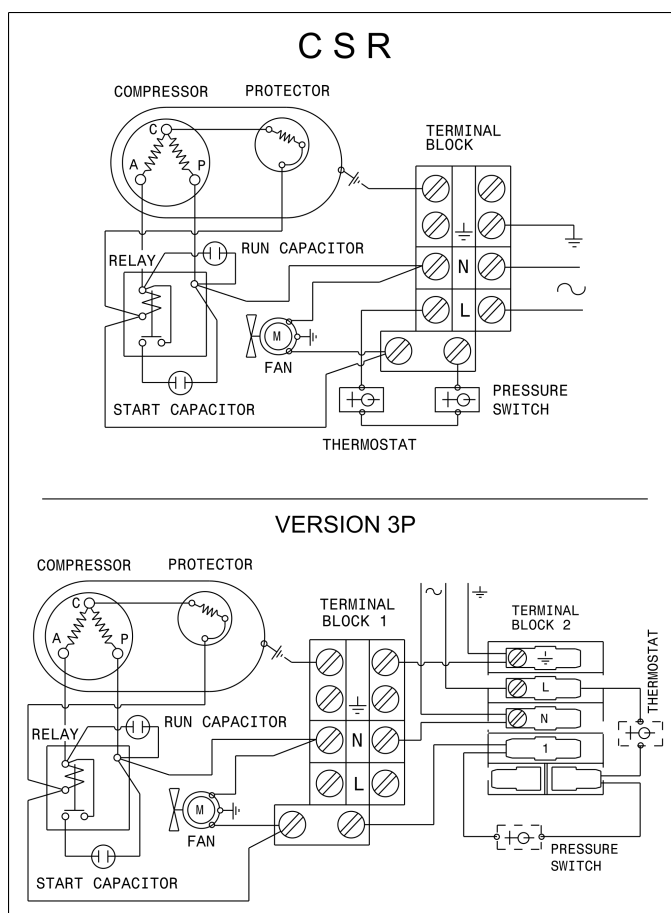
TEST CYCLE CONDITIONS

	HMBP
Evaporating temp. (T _e)	7,2 °C
Condensing temp. (T _c)	55,0 °C
Liquid temp. (T _{liq.})	46,0 °C
Ambient temp. (T _{amb.})	35,0 °C
Suction temp. (T _{suction})	35,0 °C
Voltage/Frequency	220 V 50 Hz

CONDENSER AND FAN DATA

Condenser type	CU-AL
Condenser model	16T 4R
Fan blade (Ø mm / °)	350 / 23
Fan motor	130W 230V 50/60Hz

WIRING DIAGRAM



REFRIGERATION CAPACITY (W) Evaporating Temperature (°C)

Model	Motor	-25	-15	-5	5	7.2			10
						W	Winp	A	
CMS26TB_N	CSR	1183	1853	2615	3468	3668	1778	8.03	3930

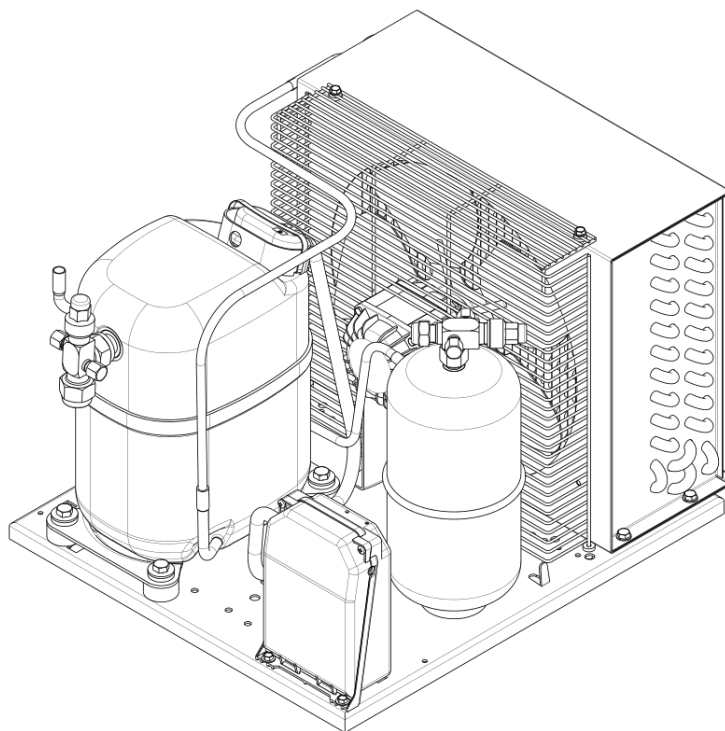
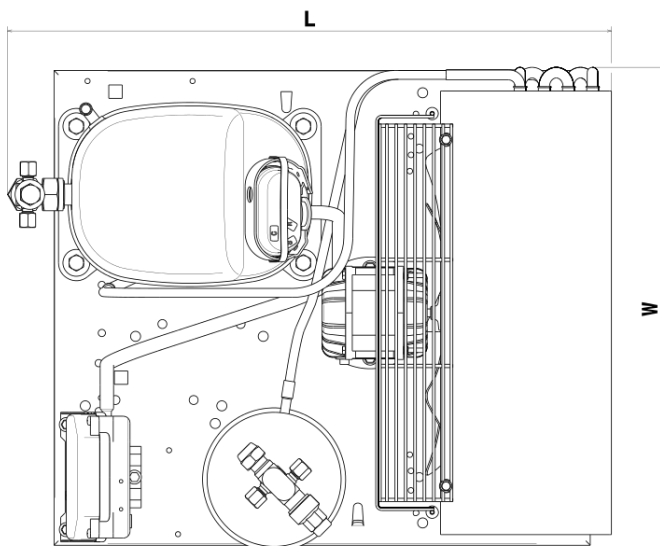
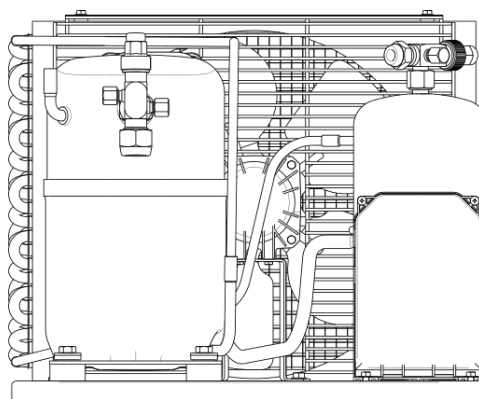
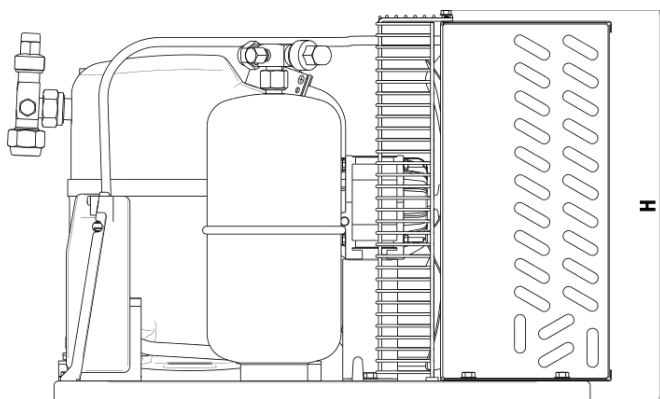
ASHRAE HMBP: Condensing temperature: 55°C, Liquid temperature: 46°C, Suction temperature: 35°C, Ambient temperature: 35°C

Condensing Unit Technical Data Sheet

VERSIONS

VERSION 1	VERSION 2	VERSION 3	VERSION 3P	VERSION 4
Tube	Service valve	Service valve and receiver	Service valve, receiver, pressure switch	Schrader valve on the service port
Suction tube internal diam.: 12,7 mm	Suction valve: 5/8"	Receiver vol.: 2,4 l	Receiver vol.: 2,4 l	Suction tube internal diam.: 12,7 mm
Discharge tube internal diam.: 8,0 mm	Discharge valve: 3/8"	Suction valve: 5/8"	Suction valve: 5/8"	Discharge tube internal diam.: 8,0 mm
Net Weight: 41,2 Kg	Net Weight: 42,2 Kg	Discharge valve: 3/8"	Discharge valve: 3/8"	Net Weight: 41,2 Kg
		Net Weight: 43,7 Kg	Net Weight: 44,8 Kg	

DIMENSIONS (Version 3 drawing)



VERSION 1-4 (WxLxH) (mm)	VERSION 2 (WxLxH) (mm)	VERSION 3 (WxLxH) (mm)	VERSION 3P (WxLxH) (mm)
465x485x440	465x520x440	465x520x440	465x520x440

Condensing Unit Technical Data Sheet

Model CMS26TB_N 2F
Voltage 220-240V 50Hz ~1
Refrigerant R404A

APPLICATION

Application High-Medium Back Pressure
Refrigerant R404A
Evaporating Temp. -25,0 °C to 10,0 °C
Expansion Capillar/Valve
Comp. Cooling Fan cooled
Max. ambient temp. 43,0 °C

COMPRESSOR

Displacement 25,93 cm³
Diameter 39,98 mm
Stroke 20,65 mm
Oil type ISO VG 46 ESTER
Oil charge 887 cm³

MOTOR

Nominal Power 1 3/8 hp
Voltage/Frequency 220-240V 50Hz
Voltage range 187-255 V
Type CSR
Phase number 1 PH
Locked Rotor Amps (LRA) 38,00 A
Max. Cont. Current (MCC) 11,50 A
Main W. resist. at 25°C 1,65 Ω
Start W. resist. at 25°C 4,90 Ω

NOMINAL PERFORMANCE

Cooling Capacity	3.611 W
COP	2,07 W/W
EER	1,78 kCal/Wh
Input Power	1.744 W
Current	8,03 A

ASHRAE

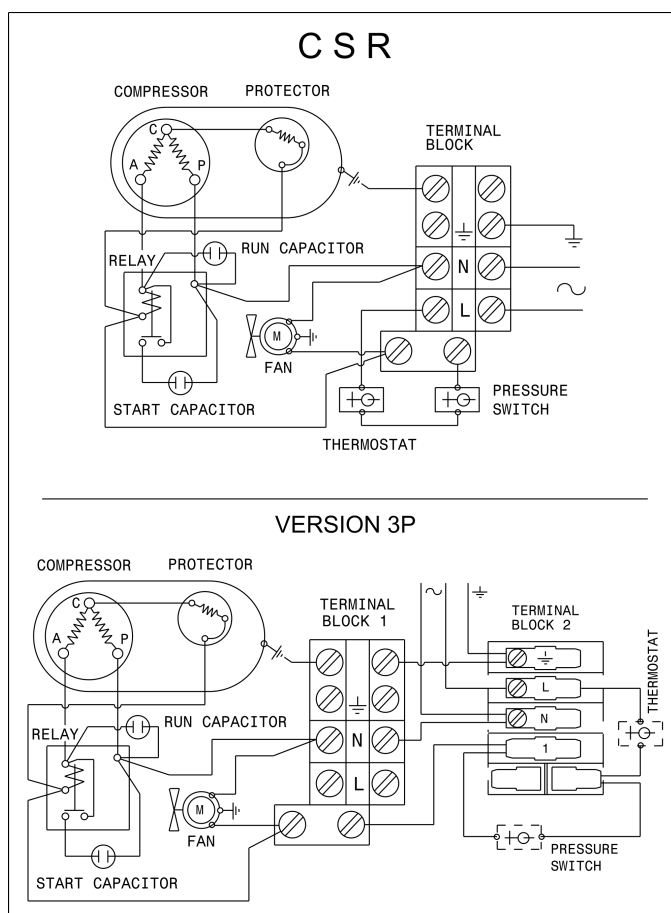
TEST CYCLE CONDITIONS

	HMBP
Evaporating temp. (T _e)	7,2 °C
Condensing temp. (T _c)	55,0 °C
Liquid temp. (T _{liq.})	46,0 °C
Ambient temp. (T _{amb.})	35,0 °C
Suction temp. (T _{suction})	35,0 °C
Voltage/Frequency	220 V 50 Hz

CONDENSER AND FAN DATA

Condenser type	CU-AL
Condenser model	12T 4R (2F)
Fan blade (Ø mm / °)	254 / 34 (x2)
Fan motor	25W 230V 50/60Hz

WIRING DIAGRAM



REFRIGERATION CAPACITY (W) Evaporating Temperature (°C)

Model	Motor	-25	-15	-5	5	7.2			10
						W	Winp	A	
CMS26TB_N 2F	CSR	1166	1834	2584	3417	3611	1744	8.03	3864

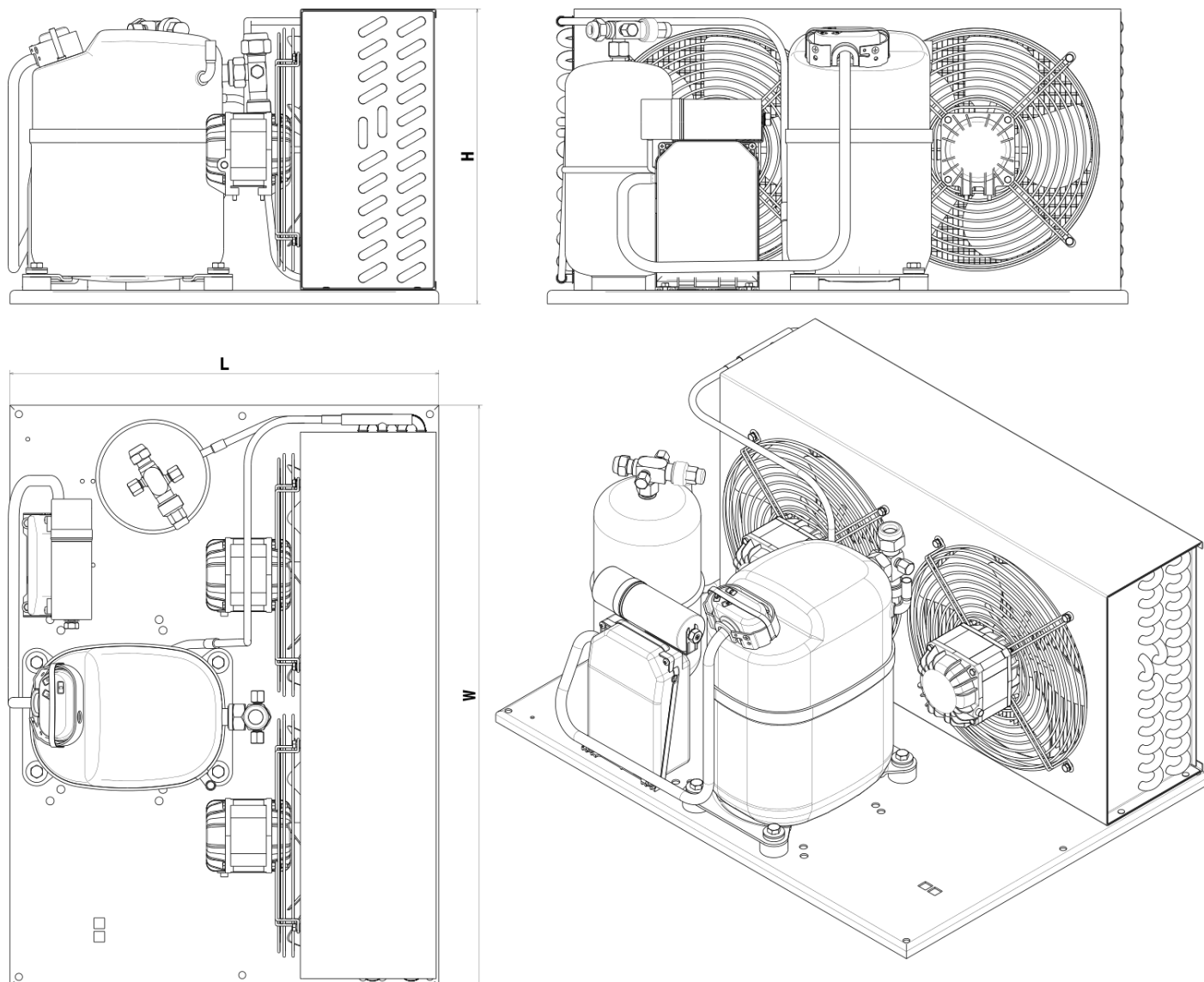
ASHRAE HMBP: Condensing temperature: 55°C, Liquid temperature: 46°C, Suction temperature: 35°C, Ambient temperature: 35°C

Condensing Unit Technical Data Sheet

VERSIONS

VERSION 1	VERSION 2	VERSION 3	VERSION 3P	VERSION 4
Tube	Service valve	Service valve and receiver	Service valve, receiver, pressure switch	Schrader valve on the service port
Suction tube internal diam.: 12,7 mm Discharge tube internal diam.: 8,0 mm Net Weight: 37,5 Kg	Suction valve: 5/8" Discharge valve: 3/8" Net Weight: 38,5 Kg	Receiver vol.: 2,4 l Suction valve: 5/8" Discharge valve: 3/8" Net Weight: 40,0 Kg	Receiver vol.: 2,4 l Suction valve: 5/8" Discharge valve: 3/8" Net Weight: 41,1 Kg	Suction tube internal diam.: 12,7 mm Discharge tube internal diam.: 8,0 mm Net Weight: 37,5 Kg

DIMENSIONS (Version 3 drawing)



VERSION 1-4 (WxLxH) (mm)	VERSION 2 (WxLxH) (mm)	VERSION 3 (WxLxH) (mm)	VERSION 3P (WxLxH) (mm)
650x480x330	650x480x330	650x480x330	650x480x330

Condensing Unit Technical Data Sheet

Model CMS34TB_M
Voltage 220-240V 50Hz ~1
Refrigerant R404A

APPLICATION

Application High Back Pressure
Refrigerant R404A
Evaporating Temp. -15,0 °C to 10,0 °C
Expansion Capillar/Valve
Comp. Cooling Fan cooled
Max. ambient temp. 38,0 °C

COMPRESSOR

Displacement 34,42 cm³
Diameter 42,86 mm
Stroke 23,85 mm
Oil type ISO VG 46 ESTER
Oil charge 887 cm³

MOTOR

Nominal Power 1 5/8 hp
Voltage/Frequency 220-240V 50Hz
Voltage range 198-255 V
Type CSR
Phase number 1 PH
Locked Rotor Amps (LRA) 41,00 A
Max. Cont. Current (MCC) 17,50 A
Main W. resist. at 25°C 1,38 Ω
Start W. resist. at 25°C 4,58 Ω

NOMINAL PERFORMANCE

Cooling Capacity	4.702 W
COP	1,93 W/W
EER	1,66 kCal/Wh
Input Power	2.434 W
Current	12,07 A

ASHRAE

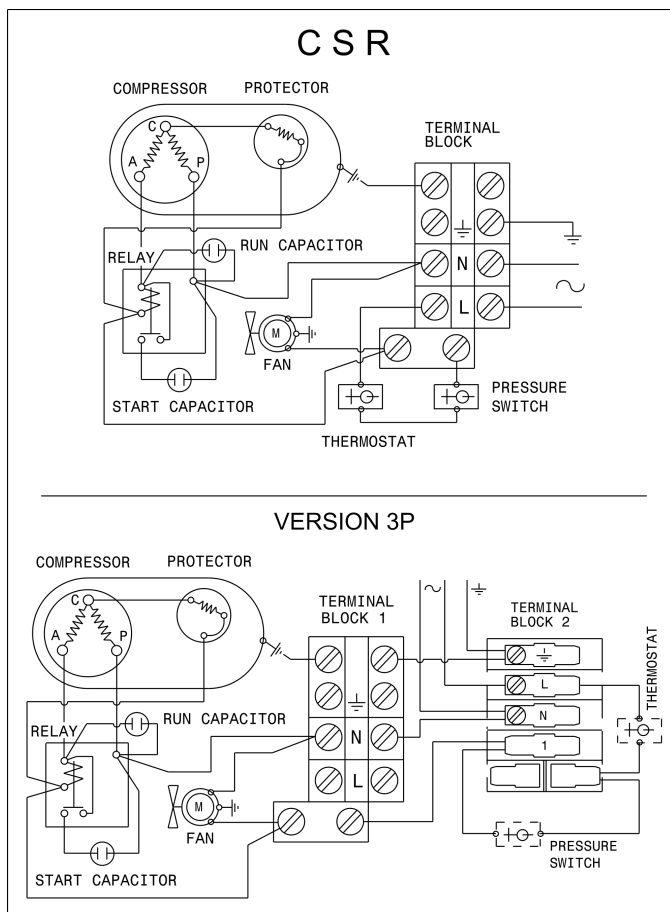
TEST CYCLE CONDITIONS

	HBP
Evaporating temp. (T _e)	7,2 °C
Condensing temp. (T _c)	55,0 °C
Liquid temp. (T _{liq.})	46,0 °C
Ambient temp. (T _{amb.})	35,0 °C
Suction temp. (T _{suction})	35,0 °C
Voltage/Frequency	220 V 50 Hz

CONDENSER AND FAN DATA

Condenser type	CU-AL
Condenser model	16T 5R
Fan blade (Ø mm / °)	350 / 23
Fan motor	130W 230V 50/60Hz

WIRING DIAGRAM



REFRIGERATION CAPACITY (W) Evaporating Temperature (°C)

Model	Motor	-25	-15	-5	5	7.2			10
						W	Winp	A	
CMS34TB_M	CSR	1335	2424	3475	4485	4702	2434	12.07	4976

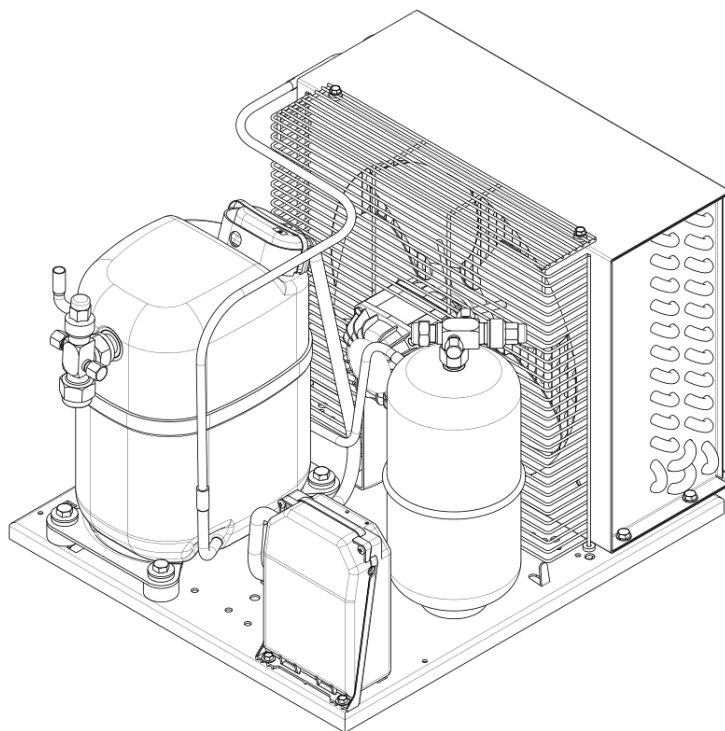
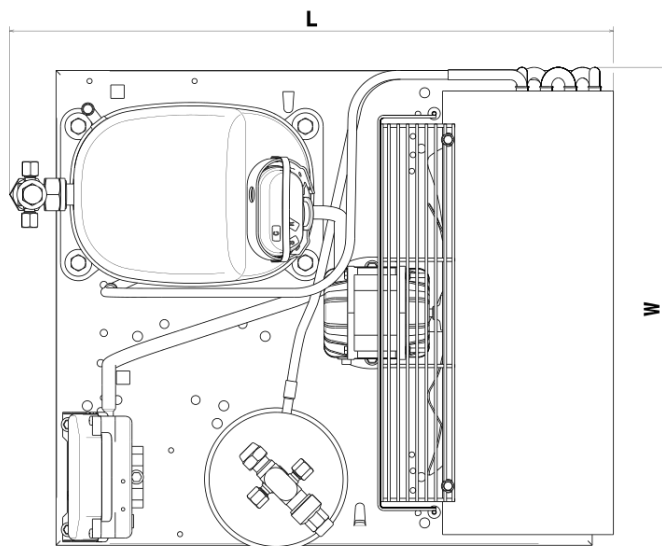
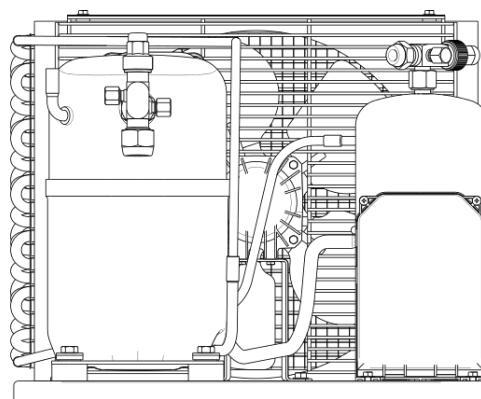
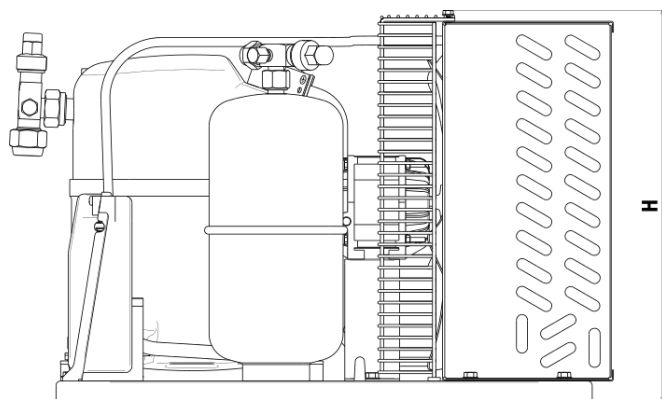
ASHRAE HBP: Condensing temperature: 55°C, Liquid temperature: 46°C, Suction temperature: 35°C, Ambient temperature: 35°C

Condensing Unit Technical Data Sheet

VERSIONS

VERSION 1	VERSION 2	VERSION 3	VERSION 3P	VERSION 4
Tube	Service valve	Service valve and receiver	Service valve, receiver, pressure switch	Schrader valve on the service port
Suction tube internal diam.: 12,7 mm Discharge tube internal diam.: 8,0 mm Net Weight: 42,0 Kg	Suction valve: 5/8" Discharge valve: 3/8" Net Weight: 43,0 Kg	Receiver vol.: 2,4 l Suction valve: 5/8" Discharge valve: 3/8" Net Weight: 44,5 Kg	Receiver vol.: 2,4 l Suction valve: 5/8" Discharge valve: 3/8" Net Weight: 45,6 Kg	Suction tube internal diam.: 12,7 mm Discharge tube internal diam.: 8,0 mm Net Weight: 42,0 Kg

DIMENSIONS (Version 3 drawing)



VERSION 1-4 (WxLxH) (mm)	VERSION 2 (WxLxH) (mm)	VERSION 3 (WxLxH) (mm)	VERSION 3P (WxLxH) (mm)
460x505x440	460x520x440	460x520x440	460x520x440

Condensing Unit Technical Data Sheet

Model CMS34TB_M 2F
Voltage 220-240V 50Hz ~1
Refrigerant R404A

APPLICATION

Application High Back Pressure
Refrigerant R404A
Evaporating Temp. -15,0 °C to 10,0 °C
Expansion Capillar/Valve
Comp. Cooling Fan cooled
Max. ambient temp. 38,0 °C

COMPRESSOR

Displacement 34,42 cm³
Diameter 42,86 mm
Stroke 23,85 mm
Oil type ISO VG 46 ESTER
Oil charge 887 cm³

MOTOR

Nominal Power 1 5/8 hp
Voltage/Frequency 220-240V 50Hz
Voltage range 198-255 V
Type CSR
Phase number 1 PH
Locked Rotor Amps (LRA) 41,00 A
Max. Cont. Current (MCC) 17,50 A
Main W. resist. at 25°C 1,38 Ω
Start W. resist. at 25°C 4,58 Ω

NOMINAL PERFORMANCE

Cooling Capacity	4.405 W
COP	1,74 W/W
EER	1,50 kCal/Wh
Input Power	2.532 W
Current	12,07 A

ASHRAE

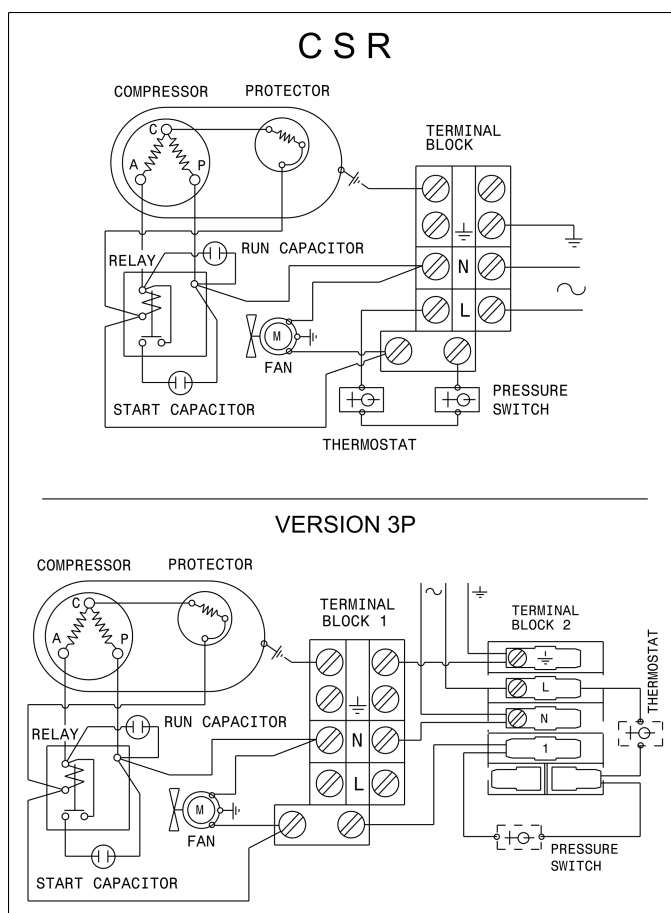
TEST CYCLE CONDITIONS

	HBP
Evaporating temp. (T _e)	7,2 °C
Condensing temp. (T _c)	55,0 °C
Liquid temp. (T _{liq.})	46,0 °C
Ambient temp. (T _{amb.})	35,0 °C
Suction temp. (T _{suction})	35,0 °C
Voltage/Frequency	220 V 50 Hz

CONDENSER AND FAN DATA

Condenser type	CU-AL
Condenser model	12T 4R (2F)
Fan blade (Ø mm / °)	254 / 34 (x2)
Fan motor	25W 230V 50/60Hz

WIRING DIAGRAM



REFRIGERATION CAPACITY (W) Evaporating Temperature (°C)

Model	Motor	-25	-15	-5	5	7.2			10
						W	Winp	A	
CMS34TB_M 2F	CSR	1253	2237	3217	4192	4405	2532	12.07	4677

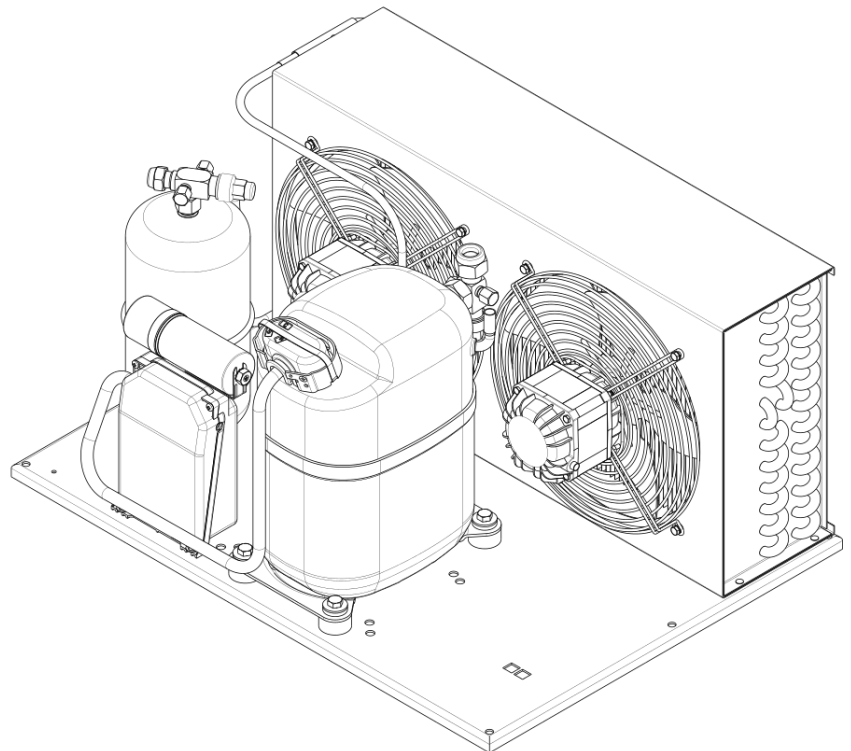
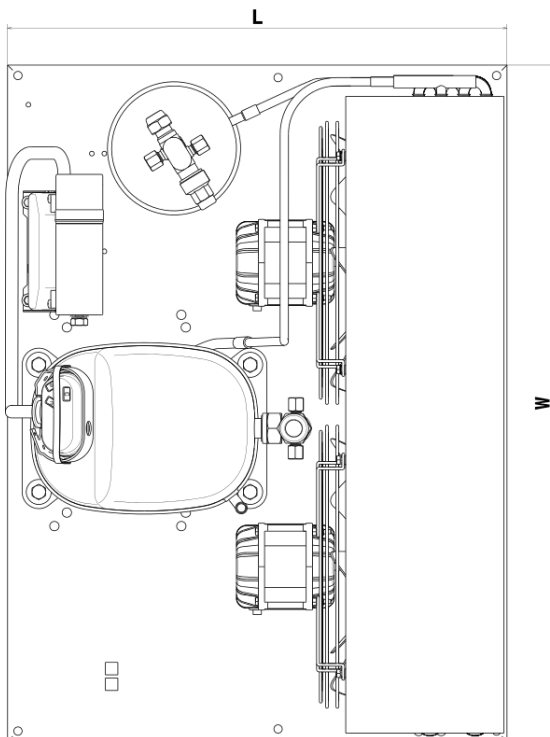
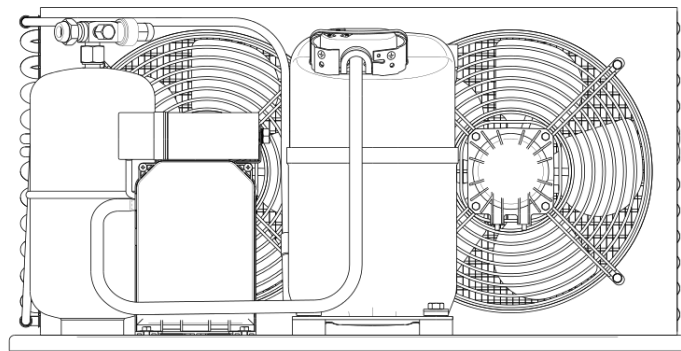
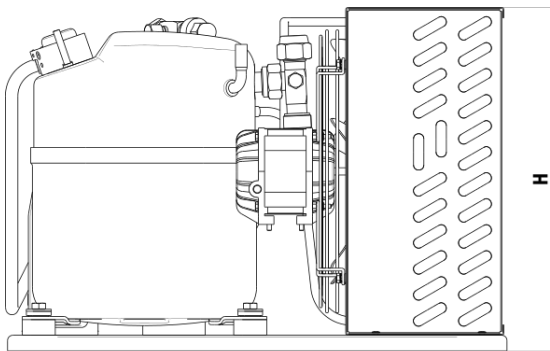
ASHRAE HBP: Condensing temperature: 55°C, Liquid temperature: 46°C, Suction temperature: 35°C, Ambient temperature: 35°C

Condensing Unit Technical Data Sheet

VERSIONS

VERSION 1	VERSION 2	VERSION 3	VERSION 3P	VERSION 4
Tube	Service valve	Service valve and receiver	Service valve, receiver, pressure switch	Schrader valve on the service port
Suction tube internal diam.: 12,7 mm Discharge tube internal diam.: 8,0 mm Net Weight: 38,5 Kg	Suction valve: 5/8" Discharge valve: 3/8" Net Weight: 39,5 Kg	Receiver vol.: 2,4 l Suction valve: 5/8" Discharge valve: 3/8" Net Weight: 41,0 Kg	Receiver vol.: 2,4 l Suction valve: 5/8" Discharge valve: 3/8" Net Weight: 42,1 Kg	Suction tube internal diam.: 12,7 mm Discharge tube internal diam.: 8,0 mm Net Weight: 38,5 Kg

DIMENSIONS (Version 3 drawing)



VERSION 1-4 (WxLxH) (mm)	VERSION 2 (WxLxH) (mm)	VERSION 3 (WxLxH) (mm)	VERSION 3P (WxLxH) (mm)
650x480x330	650x480x330	650x480x330	650x480x330

Condensing Unit Technical Data Sheet

Model CMS26T3_N
Voltage 400/440V 50/60Hz ~3
Refrigerant R404A

APPLICATION

Application High-Medium Back Pressure
Refrigerant R404A
Evaporating Temp. -25,0 °C to 10,0 °C
Expansion Capillar/Valve
Comp. Cooling Fan cooled
Max. ambient temp. 43,0 °C

COMPRESSOR

Displacement 25,93 cm³
Diameter 39,98 mm
Stroke 20,65 mm
Oil type ISO VG 46 ESTER
Oil charge 887 cm³

MOTOR

Nominal Power 1 3/8 hp
Voltage/Frequency 400V 50Hz
Voltage range 340-440 V
Type 3PHASE
Phase number 3 PH
Locked Rotor Amps (LRA) 15,70 A
Max. Cont. Current (MCC) 4,80 A
Main W. resist. at 25°C 10,18 Ω
Start W. resist. at 25°C 14,03 Ω

NOMINAL PERFORMANCE

	ASHRAE
Cooling Capacity	4.231 W
COP	1,93 W/W
EER	1,66 kCal/Wh
Input Power	2.189 W
Current	3,02 A

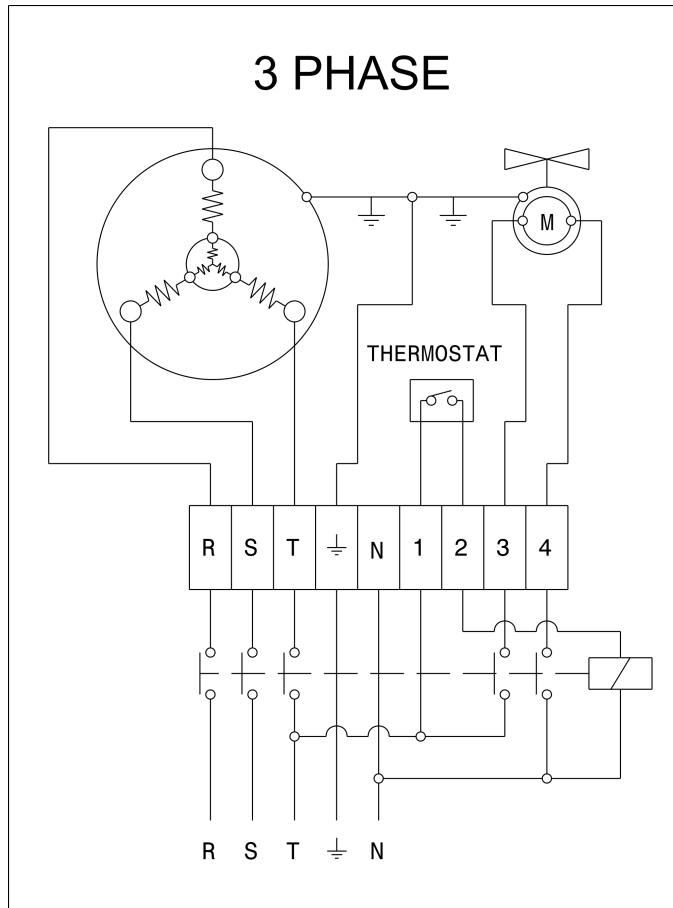
TEST CYCLE CONDITIONS

	HMBP
Evaporating temp. (T _e)	7,2 °C
Condensing temp. (T _c)	55,0 °C
Liquid temp. (T _{liq.})	46,0 °C
Ambient temp. (T _{amb.})	35,0 °C
Suction temp. (T _{suction})	35,0 °C
Voltage/Frequency	400 V 50 Hz

CONDENSER AND FAN DATA

Condenser type	CU-AL
Condenser model	16T 4R
Fan blade (Ø mm / °)	350 / 23
Fan motor	130W 230V 50/60Hz

WIRING DIAGRAM



REFRIGERATION CAPACITY (W) Evaporating Temperature (°C)

Model	Motor	-25	-15	-5	5	7.2			10
						W	Winp	A	
CMS26T3_N	3PHASE	1383	2202	3080	4017	4231	2189	3.02	4508

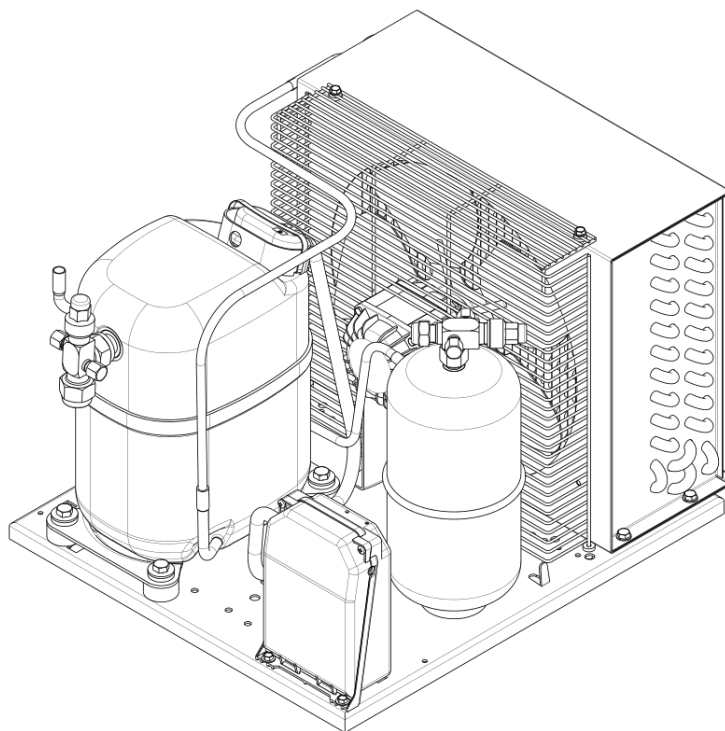
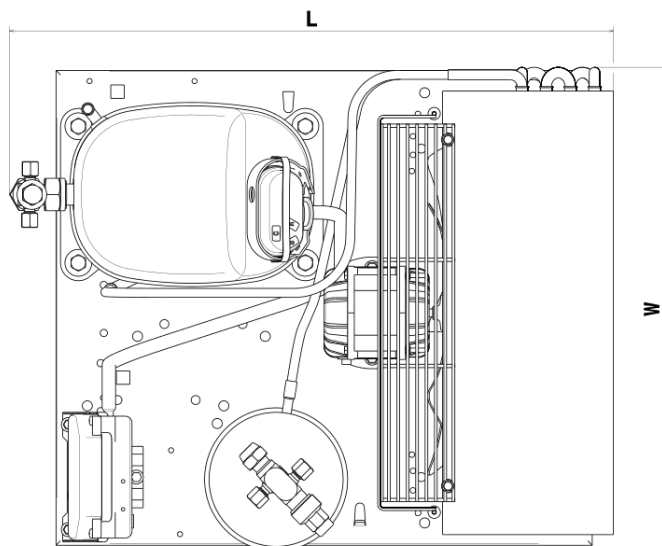
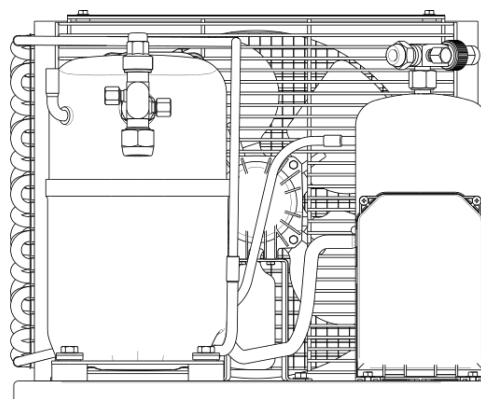
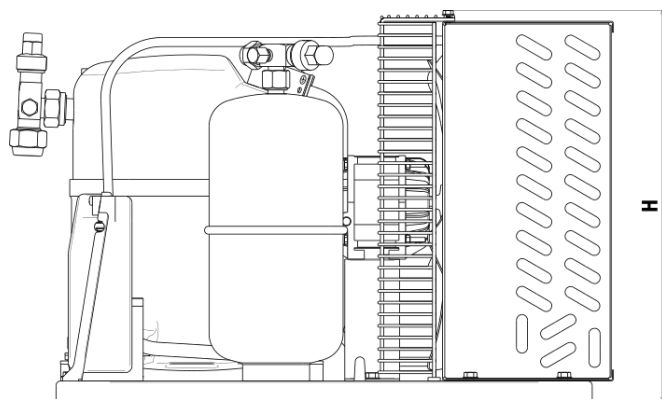
ASHRAE HMBP: Consending temperature: 55°C, Liquid temperature: 46°C, Suction temperature: 35°C, Ambient temperature: 35°C

Condensing Unit Technical Data Sheet

VERSIONS

VERSION 1	VERSION 2	VERSION 3	VERSION 3P	VERSION 4
Tube	Service valve	Service valve and receiver	Service valve, receiver, pressure switch	Schrader valve on the service port
Suction tube internal diam.: 12,7 mm Discharge tube internal diam.: 8,0 mm Net Weight: 40,7 Kg	Suction valve: 5/8" Discharge valve: 3/8" Net Weight: 41,7 Kg	Receiver vol.: 2,4 l Suction valve: 5/8" Discharge valve: 3/8" Net Weight: 43,2 Kg	Receiver vol.: 2,4 l Suction valve: 5/8" Discharge valve: 3/8" Net Weight: 44,3 Kg	Suction tube internal diam.: 12,7 mm Discharge tube internal diam.: 8,0 mm Net Weight: 40,7 Kg

DIMENSIONS (Version 3 drawing)



VERSION 1-4 (WxLxH) (mm)	VERSION 2 (WxLxH) (mm)	VERSION 3 (WxLxH) (mm)	VERSION 3P (WxLxH) (mm)
465x485x440	465x520x440	465x520x440	465x520x440

Condensing Unit Technical Data Sheet

Model CMS34T3_N
Voltage 400/440V 50/60Hz ~3
Refrigerant R404A

APPLICATION

Application High-Medium Back Pressure
Refrigerant R404A
Evaporating Temp. -25,0 °C to 10,0 °C
Expansion Capillar/Valve
Comp. Cooling Fan cooled
Max. ambient temp. 43,0 °C

COMPRESSOR

Displacement 34,42 cm³
Diameter 42,86 mm
Stroke 23,85 mm
Oil type ISO VG 46 ESTER
Oil charge 887 cm³

MOTOR

Nominal Power 1 5/8 hp
Voltage/Frequency 400V 50Hz
Voltage range 340-440 V
Type 3PHASE
Phase number 3 PH
Locked Rotor Amps (LRA) 20,00 A
Max. Cont. Current (MCC) 6,40 A
Main W. resist. at 25°C 7,40 Ω
Start W. resist. at 25°C 10,10 Ω

NOMINAL PERFORMANCE

	ASHRAE
Cooling Capacity	4.519 W
COP	1,81 W/W
EER	1,56 kCal/Wh
Input Power	2.492 W
Current	4,02 A

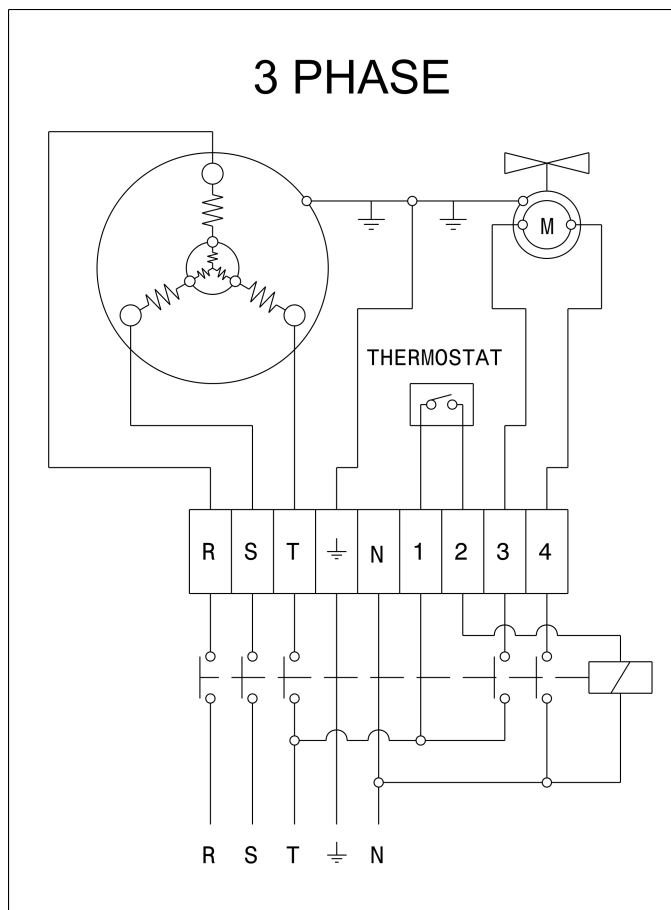
TEST CYCLE CONDITIONS

	HMBP
Evaporating temp. (T _e)	7,2 °C
Condensing temp. (T _c)	55,0 °C
Liquid temp. (T _{liq.})	46,0 °C
Ambient temp. (T _{amb.})	35,0 °C
Suction temp. (T _{suction})	35,0 °C
Voltage/Frequency	400 V 50 Hz

CONDENSER AND FAN DATA

Condenser type	CU-AL
Condenser model	16T 5R
Fan blade (Ø mm / °)	350 / 23
Fan motor	130W 230V 50/60Hz

WIRING DIAGRAM



REFRIGERATION CAPACITY (W) Evaporating Temperature (°C)

Model	Motor	-25	-15	-5	5	7.2			10
						W	Winp	A	
CMS34T3_N	3PHASE	1527	2368	3289	4288	4519	2492	4.02	4818

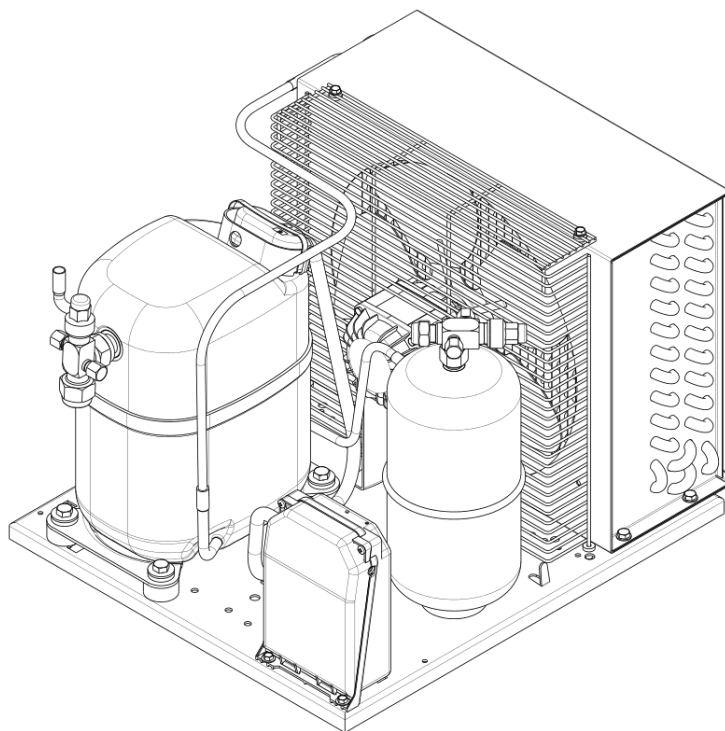
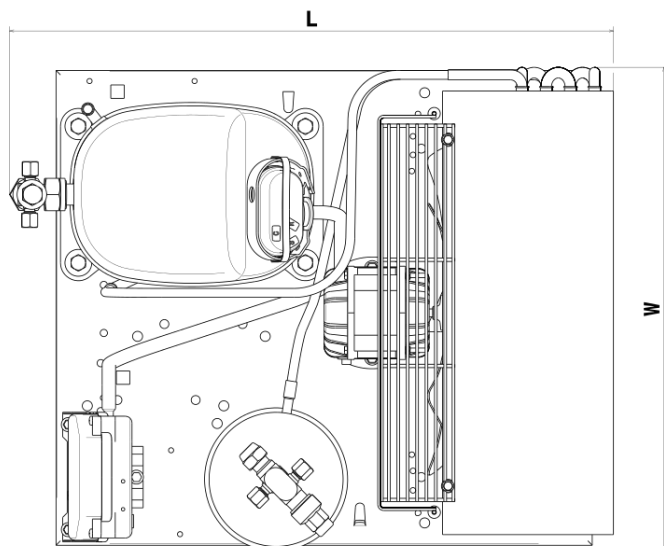
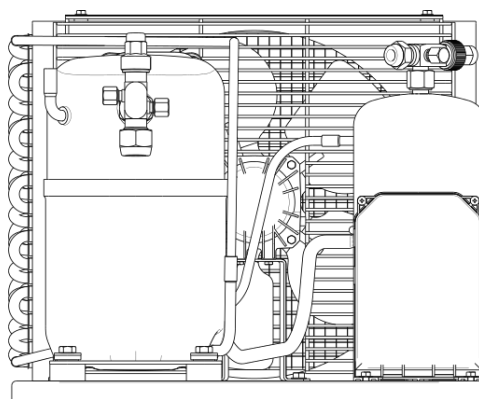
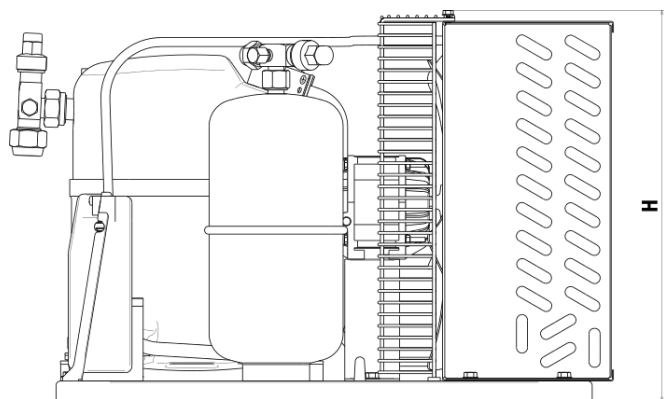
ASHRAE HMBP: Condensing temperature: 55°C, Liquid temperature: 46°C, Suction temperature: 35°C, Ambient temperature: 35°C

Condensing Unit Technical Data Sheet

VERSIONS

VERSION 1	VERSION 2	VERSION 3	VERSION 3P	VERSION 4
Tube	Service valve	Service valve and receiver	Service valve, receiver, pressure switch	Schrader valve on the service port
Suction tube internal diam.: 12,7 mm Discharge tube internal diam.: 8,0 mm Net Weight: 41,5 Kg	Suction valve: 5/8" Discharge valve: 3/8" Net Weight: 42,5 Kg	Receiver vol.: 2,4 l Suction valve: 5/8" Discharge valve: 3/8" Net Weight: 44,0 Kg	Receiver vol.: 2,4 l Suction valve: 5/8" Discharge valve: 3/8" Net Weight: 45,1 Kg	Suction tube internal diam.: 12,7 mm Discharge tube internal diam.: 8,0 mm Net Weight: 41,5 Kg

DIMENSIONS (Version 3 drawing)



VERSION 1-4 (WxLxH) (mm)	VERSION 2 (WxLxH) (mm)	VERSION 3 (WxLxH) (mm)	VERSION 3P (WxLxH) (mm)
460x505x440	460x520x440	460x520x440	460x520x440

Condensing Unit Technical Data Sheet

Model CML60FB_N
Voltage 220-240V 50Hz ~1
Refrigerant R404A

APPLICATION

Application Low Back Pressure
Refrigerant R404A
Evaporating Temp. -40,0 °C to -10,0 °C
Expansion Capillar/Valve
Comp. Cooling Fan cooled
Max. ambient temp. 43,0 °C

COMPRESSOR

Displacement 5,98 cm³
Diameter 20,88 mm
Stroke 17,47 mm
Oil type ISO VG 32 ESTER
Oil charge 265 cm³

MOTOR

Nominal Power 1/5 hp
Voltage/Frequency 220-240V 50Hz
Voltage range 198-255 V
Type CSIR
Phase number 1 PH
Locked Rotor Amps (LRA) 9,00 A
Max. Cont. Current (MCC) 1,90 A
Main W. resist. at 25°C 12,30 Ω
Start W. resist. at 25°C 37,80 Ω

NOMINAL PERFORMANCE

Cooling Capacity	277 W
COP	1,03 W/W
EER	0,89 kCal/Wh
Input Power	268 W
Current	0,99 A

ASHRAE

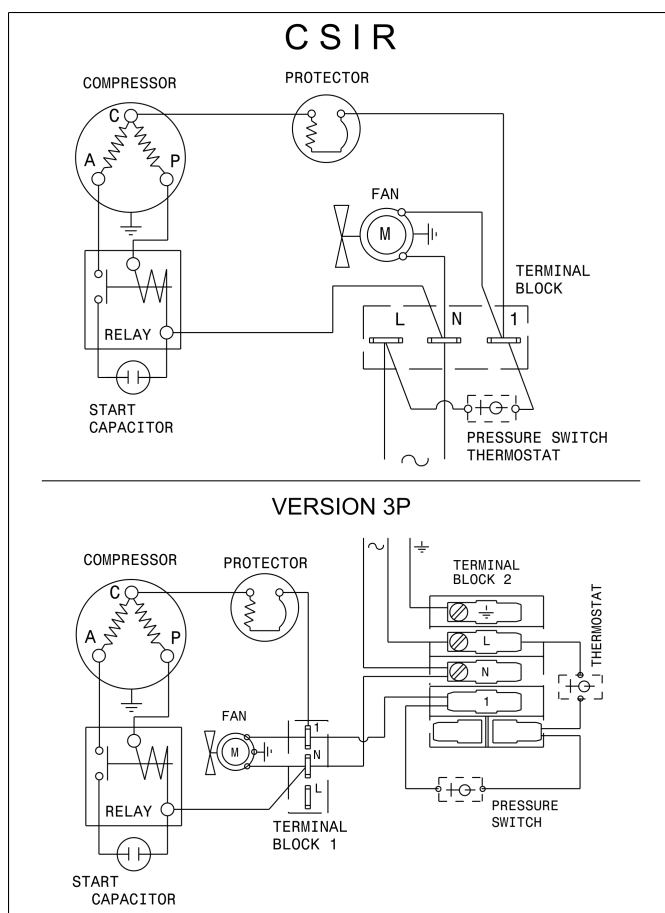
TEST CYCLE CONDITIONS

	LBP
Evaporating temp. (T _e)	-23,3 °C
Condensing temp. (T _c)	55,0 °C
Liquid temp. (T _{liq.})	32,0 °C
Ambient temp. (T _{amb.})	32,0 °C
Suction temp. (T _{suction})	32,0 °C
Voltage/Frequency	220 V 50 Hz

CONDENSER AND FAN DATA

Condenser type	CU-AL
Condenser model	7T 2R
Fan blade (Ø mm / °)	172 / 28
Fan motor	5W 230V 50/60Hz

WIRING DIAGRAM



REFRIGERATION CAPACITY (W) Evaporating Temperature (°C)

Model	Motor	-40	-35	-30	-25	-23.3			-10
						W	Winp	A	
CML60FB_N	CSIR	122	161	206	258	277	268	0.99	453

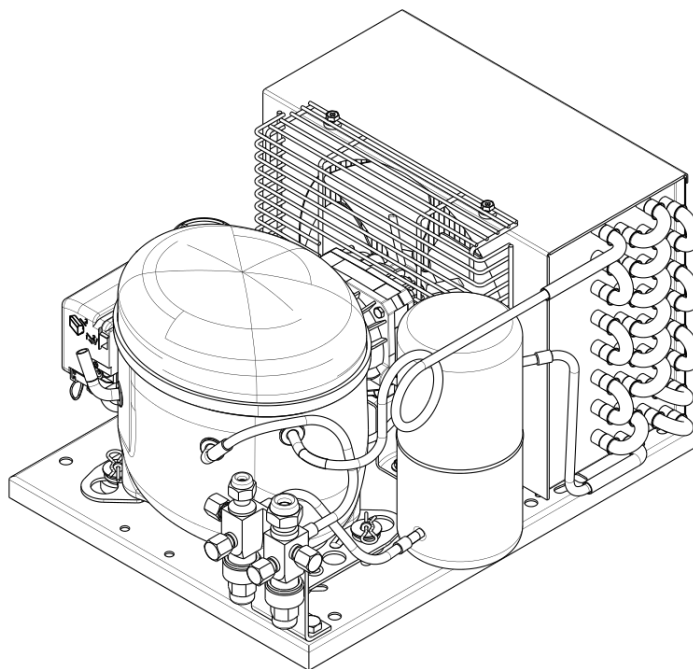
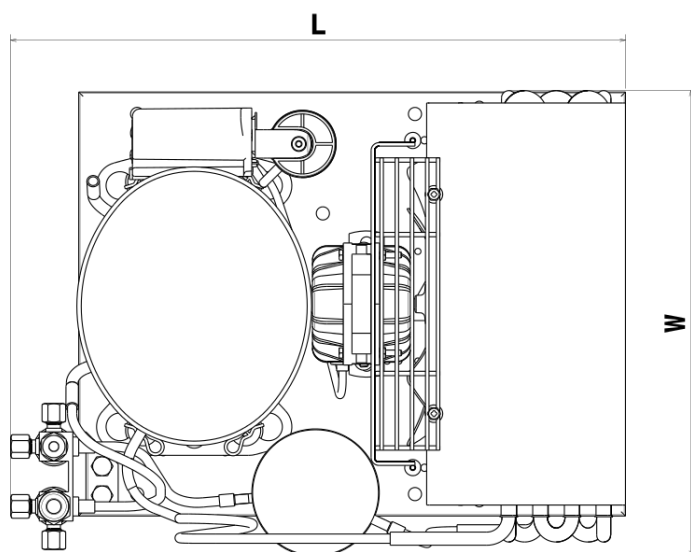
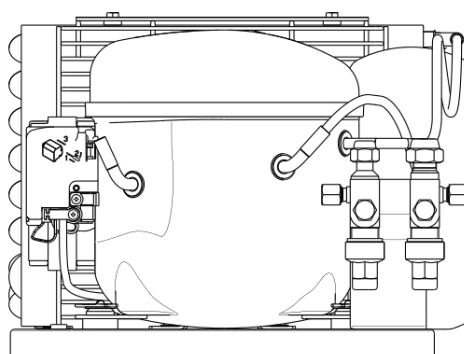
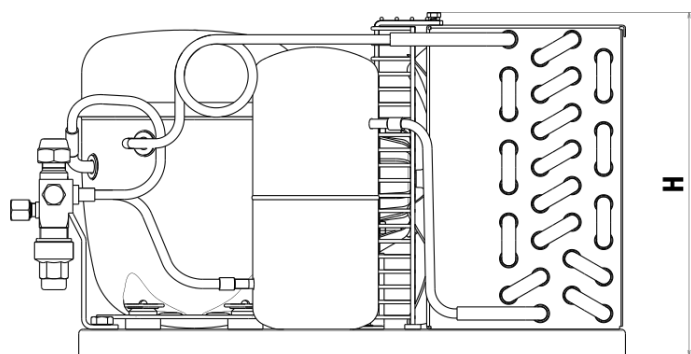
ASHRAE LBP: Condensing temperature: 55°C, Liquid temperature: 32°C, Suction temperature: 32°C, Ambient temperature: 32°C

Condensing Unit Technical Data Sheet

VERSIONS

VERSION 1	VERSION 2	VERSION 3	VERSION 3P	VERSION 4
Tube	Service valve	Service valve and receiver	Service valve, receiver, pressure switch	Schrader valve on the service port
Suction tube internal diam.: 6,5 mm Discharge tube internal diam.: 4,9 mm Net Weight: 15,7 Kg	Suction valve: 3/8" Discharge valve: 1/4" Net Weight: 16,2 Kg	Receiver vol.: 0,9 l Suction valve: 3/8" Discharge valve: 1/4" Net Weight: 16,5 Kg	Receiver vol.: 0,9 l Suction valve: 3/8" Discharge valve: 1/4" Net Weight: 17,6 Kg	Suction tube internal diam.: 6,5 mm Discharge tube internal diam.: 4,9 mm Net Weight: 15,7 Kg

DIMENSIONS (Version 3 drawing)



VERSION 1-4 (WxLxH) (mm)	VERSION 2 (WxLxH) (mm)	VERSION 3 (WxLxH) (mm)	VERSION 3P (WxLxH) (mm)
305x385x215	315x425x215	330x425x215	330x435x245

Condensing Unit Technical Data Sheet

Model CML80FB_N
Voltage 220-240V 50Hz ~1
Refrigerant R404A

APPLICATION

Application Low Back Pressure
Refrigerant R404A
Evaporating Temp. -40,0 °C to -10,0 °C
Expansion Capillar/Valve
Comp. Cooling Fan cooled
Max. ambient temp. 43,0 °C

COMPRESSOR

Displacement 8,10 cm³
Diameter 24,29 mm
Stroke 17,47 mm
Oil type ISO VG 32 ESTER
Oil charge 300 cm³

MOTOR

Nominal Power 1/4 hp
Voltage/Frequency 220-240V 50Hz
Voltage range 187-255 V
Type CSIR
Phase number 1 PH
Locked Rotor Amps (LRA) 12,20 A
Max. Cont. Current (MCC) 3,00 A
Main W. resist. at 25°C 8,42 Ω
Start W. resist. at 25°C 29,75 Ω

NOMINAL PERFORMANCE

Cooling Capacity	357 W
COP	1,53 W/W
EER	1,31 kCal/Wh
Input Power	234 W
Current	1,99 A

ASHRAE

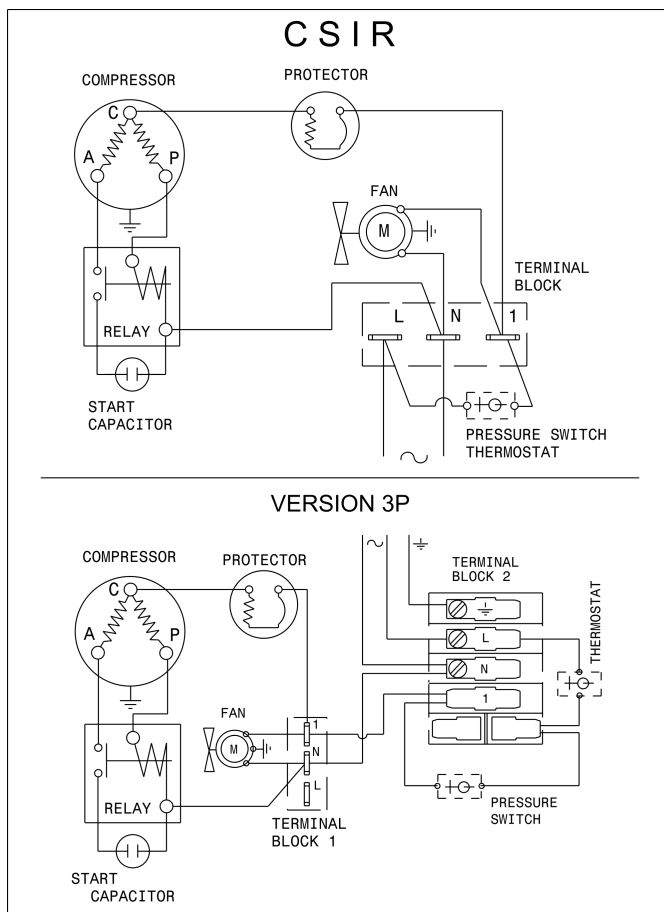
TEST CYCLE CONDITIONS

	LBP
Evaporating temp. (T _e)	-23,3 °C
Condensing temp. (T _c)	55,0 °C
Liquid temp. (T _{liq.})	32,0 °C
Ambient temp. (T _{amb.})	32,0 °C
Suction temp. (T _{suction})	32,0 °C
Voltage/Frequency	220 V 50 Hz

CONDENSER AND FAN DATA

Condenser type	CU-AL
Condenser model	7T 2R
Fan blade (Ø mm / °)	172 / 28
Fan motor	5W 230V 50/60Hz

WIRING DIAGRAM



REFRIGERATION CAPACITY (W) Evaporating Temperature (°C)

Model	Motor	-40	-35	-30	-25	-23.3			-10
						W	Winp	A	
CML80FB_N	CSIR	169	223	274	343	357	234	1.99	548

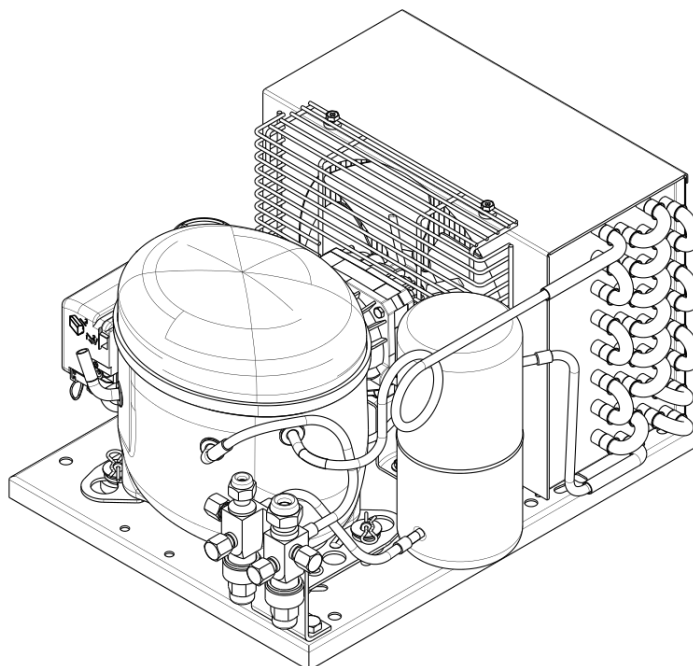
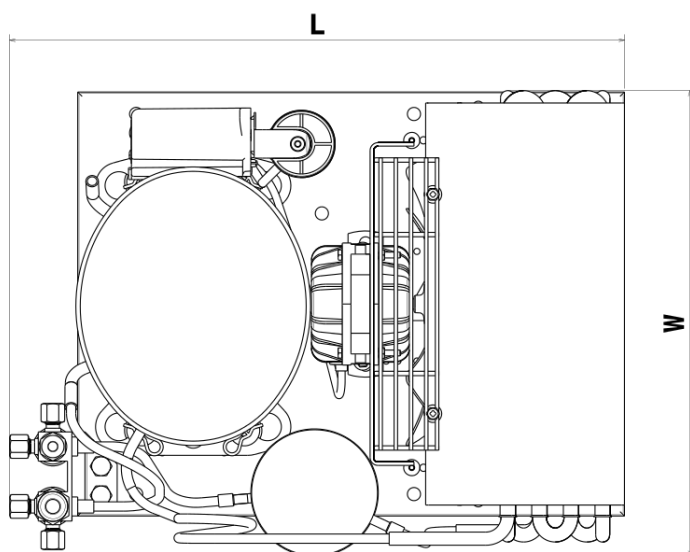
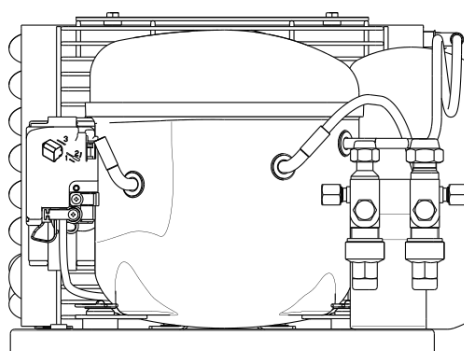
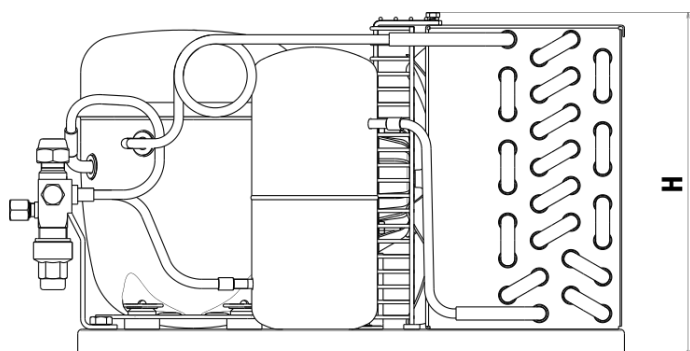
ASHRAE LBP: Condensing temperature: 55°C, Liquid temperature: 32°C, Suction temperature: 32°C, Ambient temperature: 32°C

Condensing Unit Technical Data Sheet

VERSIONS

VERSION 1	VERSION 2	VERSION 3	VERSION 3P	VERSION 4
Tube	Service valve	Service valve and receiver	Service valve, receiver, pressure switch	Schrader valve on the service port
Suction tube internal diam.: 6,5 mm Discharge tube internal diam.: 4,9 mm Net Weight: 16,4 Kg	Suction valve: 3/8" Discharge valve: 1/4" Net Weight: 16,9 Kg	Receiver vol.: 0,9 l Suction valve: 3/8" Discharge valve: 1/4" Net Weight: 17,2 Kg	Receiver vol.: 0,9 l Suction valve: 3/8" Discharge valve: 1/4" Net Weight: 18,3 Kg	Suction tube internal diam.: 6,5 mm Discharge tube internal diam.: 4,9 mm Net Weight: 16,4 Kg

DIMENSIONS (Version 3 drawing)



VERSION 1-4 (WxLxH) (mm)	VERSION 2 (WxLxH) (mm)	VERSION 3 (WxLxH) (mm)	VERSION 3P (WxLxH) (mm)
305x385x215	315x425x215	330x425x215	330x435x245

Condensing Unit Technical Data Sheet

Model CML90FB_N
Voltage 220-240V 50Hz ~1
Refrigerant R404A

APPLICATION

Application Low Back Pressure
Refrigerant R404A
Evaporating Temp. -40,0 °C to -10,0 °C
Expansion Capillar/Valve
Comp. Cooling Fan cooled
Max. ambient temp. 43,0 °C

COMPRESSOR

Displacement 8,85 cm³
Diameter 25,40 mm
Stroke 17,47 mm
Oil type ISO VG 32 ESTER
Oil charge 400 cm³

MOTOR

Nominal Power 1/3 hp
Voltage/Frequency 220-240V 50Hz
Voltage range 198-255 V
Type CSIR
Phase number 1 PH
Locked Rotor Amps (LRA) 13,00 A
Max. Cont. Current (MCC) 3,00 A
Main W. resist. at 25°C 8,60 Ω
Start W. resist. at 25°C 27,80 Ω

NOMINAL PERFORMANCE

Cooling Capacity	419 W
COP	1,18 W/W
EER	1,01 kCal/Wh
Input Power	355 W
Current	1,99 A

ASHRAE

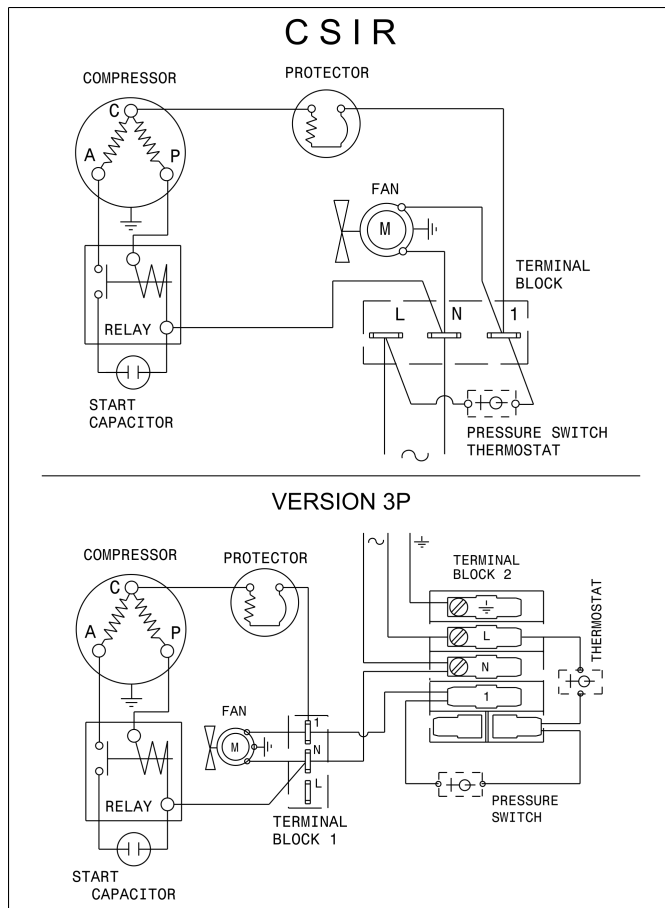
TEST CYCLE CONDITIONS

	LBP
Evaporating temp. (T _e)	-23,3 °C
Condensing temp. (T _c)	55,0 °C
Liquid temp. (T _{liq.})	32,0 °C
Ambient temp. (T _{amb.})	32,0 °C
Suction temp. (T _{suction})	32,0 °C
Voltage/Frequency	220 V 50 Hz

CONDENSER AND FAN DATA

Condenser type	CU-AL
Condenser model	8T 4R
Fan blade (Ø mm / °)	200 / 28
Fan motor	5W 230V 50/60Hz

WIRING DIAGRAM



REFRIGERATION CAPACITY (W) Evaporating Temperature (°C)

Model	Motor	-40	-35	-30	-25	-23.3			-10
						W	Winp	A	
CML90FB_N	CSIR	195	257	310	388	419	355	1.99	709

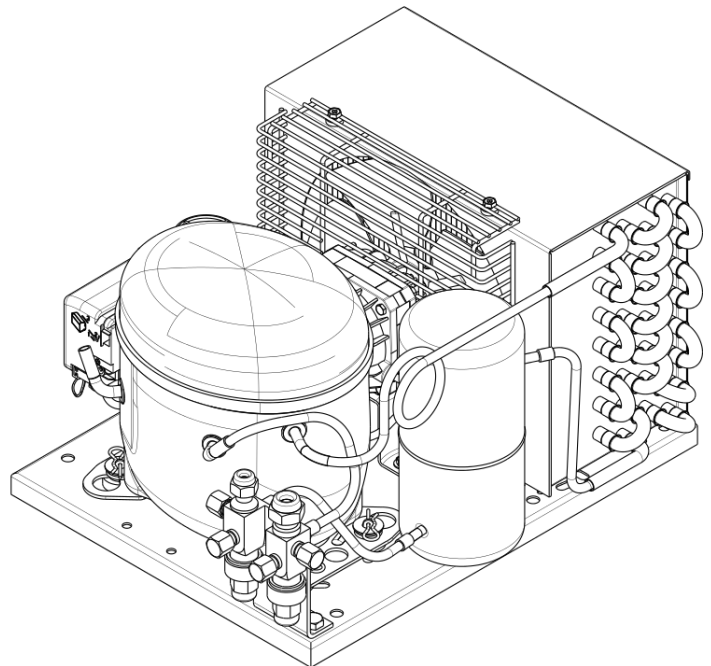
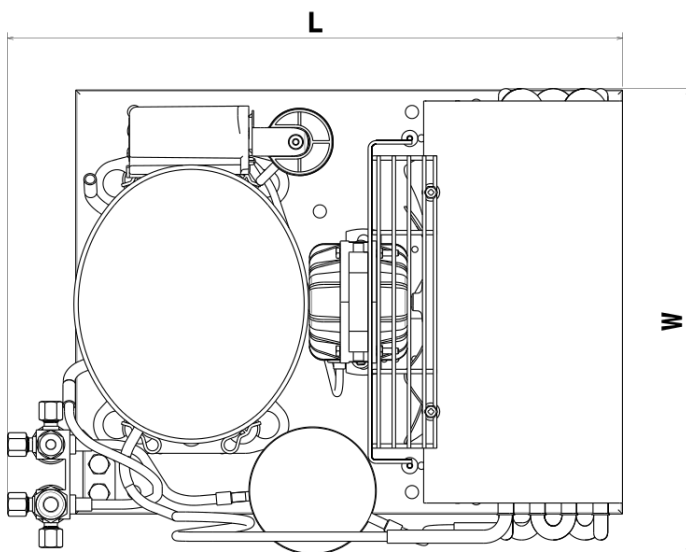
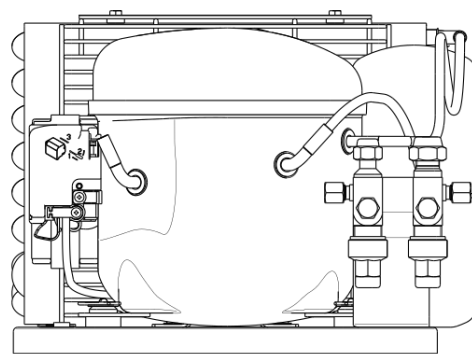
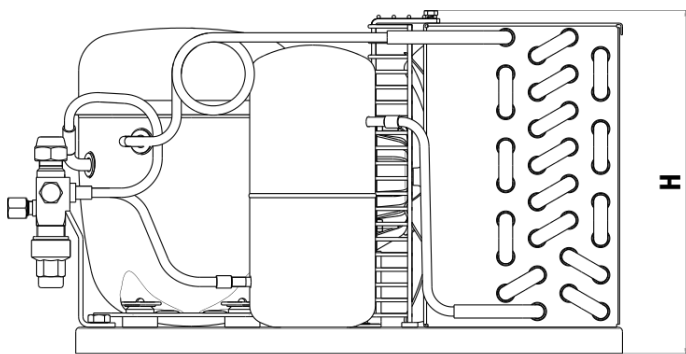
ASHRAE LBP: Condensing temperature: 55°C, Liquid temperature: 32°C, Suction temperature: 32°C, Ambient temperature: 32°C

Condensing Unit Technical Data Sheet

VERSIONS

VERSION 1	VERSION 2	VERSION 3	VERSION 3P	VERSION 4
Tube	Service valve	Service valve and receiver	Service valve, receiver, pressure switch	Schrader valve on the service port
Suction tube internal diam.: 6,5 mm Discharge tube internal diam.: 4,9 mm Net Weight: 18,4 Kg	Suction valve: 3/8" Discharge valve: 1/4" Net Weight: 18,9 Kg	Receiver vol.: 0,9 l Suction valve: 3/8" Discharge valve: 1/4" Net Weight: 19,2 Kg	Receiver vol.: 0,9 l Suction valve: 3/8" Discharge valve: 1/4" Net Weight: 20,3 Kg	Suction tube internal diam.: 6,5 mm Discharge tube internal diam.: 4,9 mm Net Weight: 18,4 Kg

DIMENSIONS (Version 3 drawing)



VERSION 1-4 (WxLxH) (mm)	VERSION 2 (WxLxH) (mm)	VERSION 3 (WxLxH) (mm)	VERSION 3P (WxLxH) (mm)
315x385x235	315x425x235	320x425x235	330x435x245

Condensing Unit Technical Data Sheet

Model CMPT12LA_N
Voltage 220-240V 50Hz ~1
Refrigerant R404A

APPLICATION

Application	Low Back Pressure
Refrigerant	R404A
Evaporating Temp.	-40,0 °C to -10,0 °C
Expansion	Capillar/Valve
Comp. Cooling	Fan cooled
Max. ambient temp.	43,0 °C

COMPRESSOR

Displacement	12,10 cm ³
Diameter	27,00 mm
Stroke	21,13 mm
Oil type	ISO VG 32 ESTER
Oil charge	350 cm ³

MOTOR

Nominal Power	3/8 hp
Voltage/Frequency	220-240V 50Hz
Voltage range	187-264 V
Type	CSR
Phase number	1 PH
Locked Rotor Amps (LRA)	13,90 A
Max. Cont. Current (MCC)	3,80 A
Main W. resist. at 25°C	6,40 Ω
Start W. resist. at 25°C	10,40 Ω

NOMINAL PERFORMANCE

Cooling Capacity	638 W
COP	1,42 W/W
EER	1,22 kCal/Wh
Input Power	450 W
Current	1,87 A

ASHRAE

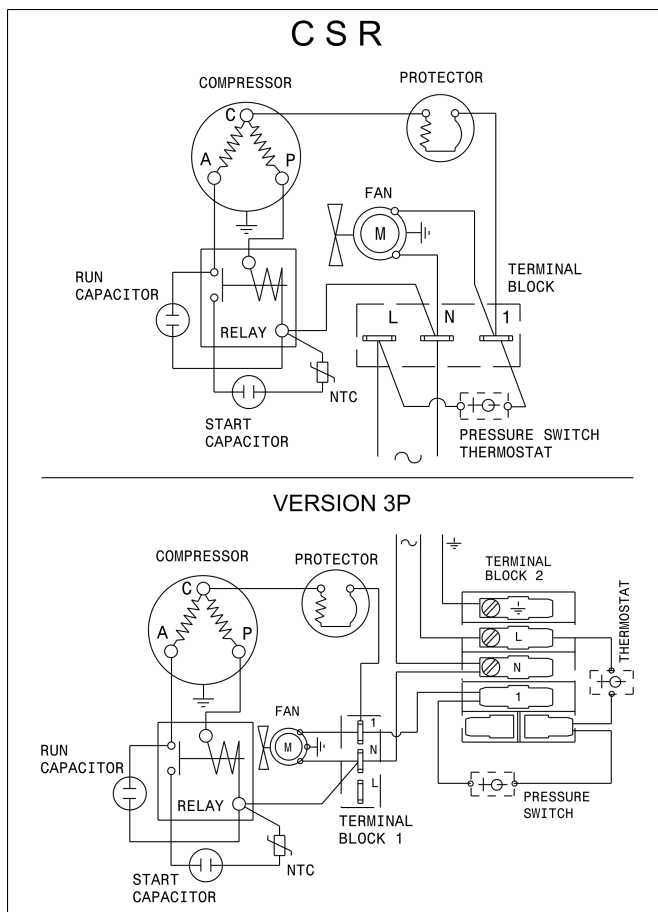
TEST CYCLE CONDITIONS

	LBP
Evaporating temp. (T _e)	-23,3 °C
Condensing temp. (T _c)	55,0 °C
Liquid temp. (T _{liq.})	32,0 °C
Ambient temp. (T _{amb.})	32,0 °C
Suction temp. (T _{suction})	32,0 °C
Voltage/Frequency	220 V 50 Hz

CONDENSER AND FAN DATA

Condenser type	CU-AL
Condenser model	9T 3R
Fan blade (Ø mm / °)	230 / 28
Fan motor	10W 230V 50/60Hz

WIRING DIAGRAM



REFRIGERATION CAPACITY (W) Evaporating Temperature (°C)

Model	Motor	-40	-35	-30	-25	-23.3			-10
						W	Winp	A	
CMPT12LA_N	CSR	308	406	487	610	638	450	1.87	1012

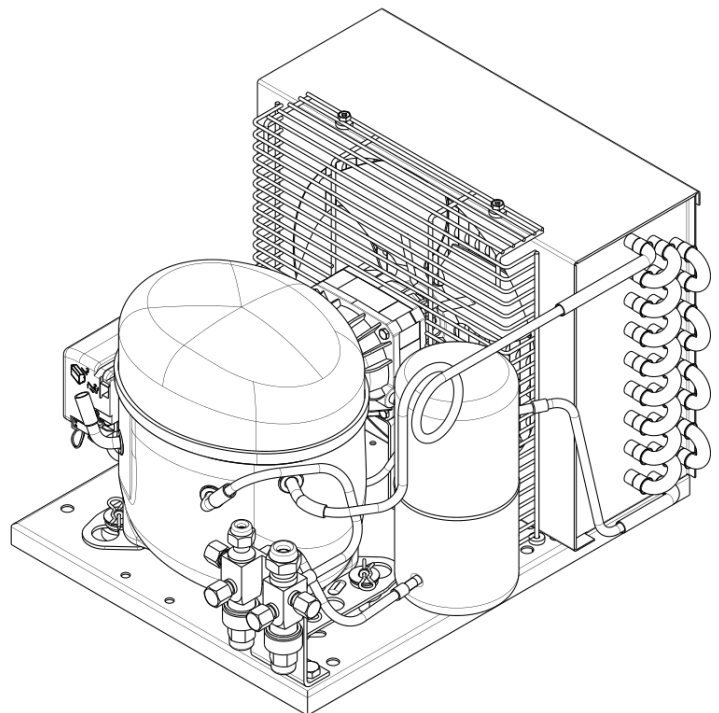
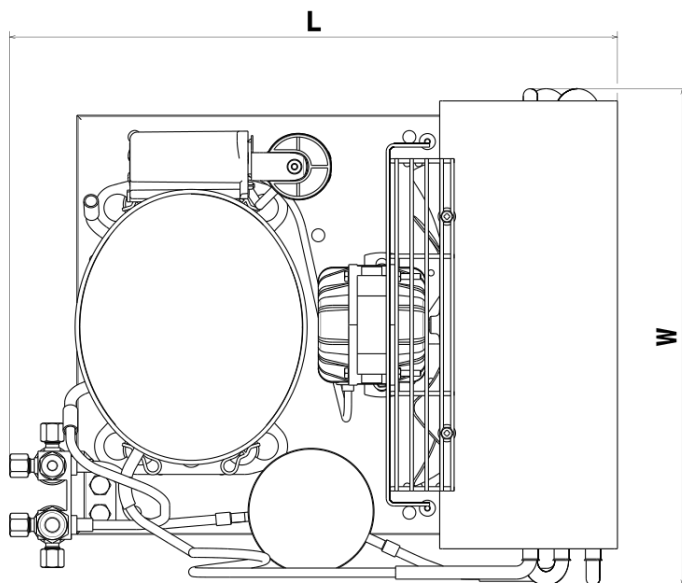
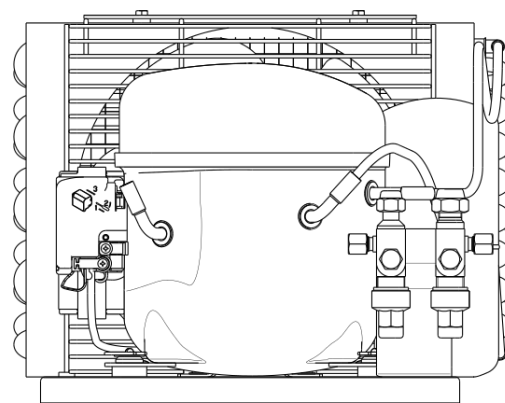
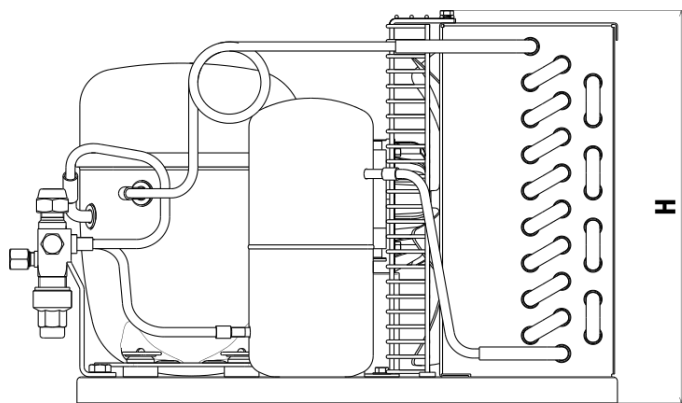
ASHRAE LBP: Condensing temperature: 55°C, Liquid temperature: 32°C, Suction temperature: 32°C, Ambient temperature: 32°C

Condensing Unit Technical Data Sheet

VERSIONS

VERSION 1	VERSION 2	VERSION 3	VERSION 3P	VERSION 4
Tube	Service valve	Service valve and receiver	Service valve, receiver, pressure switch	Schrader valve on the service port
Suction tube internal diam.: 8,1 mm Discharge tube internal diam.: 6,5 mm Net Weight: 19,4 Kg	Suction valve: 3/8" Discharge valve: 1/4" Net Weight: 19,9 Kg	Receiver vol.: 0,9 l Suction valve: 3/8" Discharge valve: 1/4" Net Weight: 20,7 Kg	Receiver vol.: 0,9 l Suction valve: 3/8" Discharge valve: 1/4" Net Weight: 21,8 Kg	Suction tube internal diam.: 8,1 mm Discharge tube internal diam.: 6,5 mm Net Weight: 19,4 Kg

DIMENSIONS (Version 3 drawing)



VERSION 1-4 (WxLxH) (mm)	VERSION 2 (WxLxH) (mm)	VERSION 3 (WxLxH) (mm)	VERSION 3P (WxLxH) (mm)
345x385x275	345x425x275	345x425x275	350x435x275

Condensing Unit Technical Data Sheet

Model CMPT14LA_N
Voltage 220-240V 50Hz ~1
Refrigerant R404A

APPLICATION

Application Low Back Pressure
Refrigerant R404A
Evaporating Temp. -40,0 °C to -10,0 °C
Expansion Capillar/Valve
Comp. Cooling Fan cooled
Max. ambient temp. 43,0 °C

COMPRESSOR

Displacement 14,32 cm³
Diameter 29,37 mm
Stroke 21,13 mm
Oil type ISO VG 32 ESTER
Oil charge 400 cm³

MOTOR

Nominal Power 1/2 hp
Voltage/Frequency 220-240V 50Hz
Voltage range 187-264 V
Type CSR
Phase number 1 PH
Locked Rotor Amps (LRA) 16,00 A
Max. Cont. Current (MCC) 5,00 A
Main W. resist. at 25°C 5,02 Ω
Start W. resist. at 25°C 9,67 Ω

NOMINAL PERFORMANCE

Cooling Capacity	743 W
COP	1,39 W/W
EER	1,19 kCal/Wh
Input Power	535 W
Current	1,98 A

ASHRAE

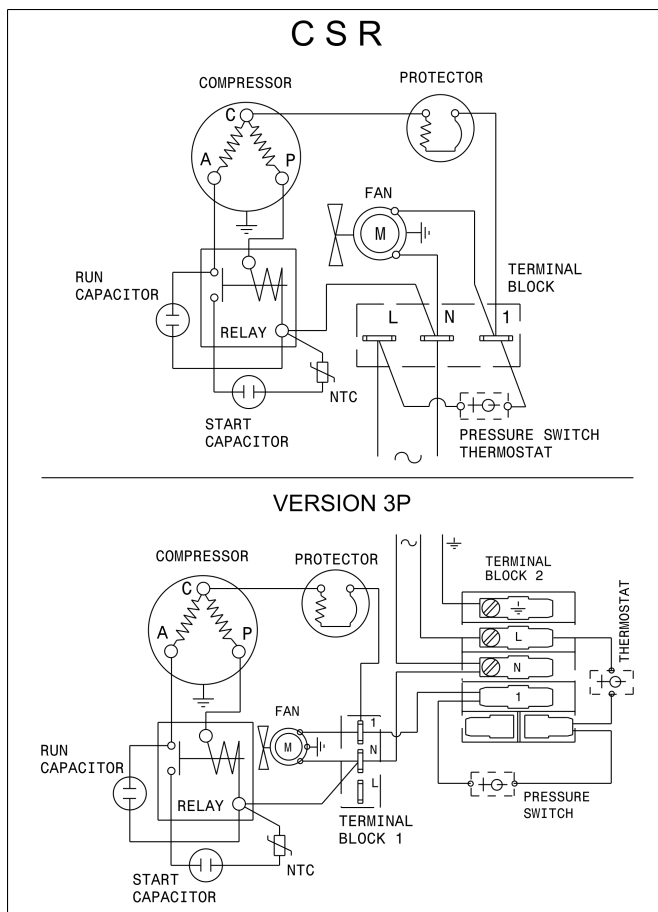
TEST CYCLE CONDITIONS

	LBP
Evaporating temp. (T _e)	-23,3 °C
Condensing temp. (T _c)	55,0 °C
Liquid temp. (T _{liq.})	32,0 °C
Ambient temp. (T _{amb.})	32,0 °C
Suction temp. (T _{suction})	32,0 °C
Voltage/Frequency	220 V 50 Hz

CONDENSER AND FAN DATA

Condenser type	CU-AL
Condenser model	9T 4R
Fan blade (Ø mm / °)	230 / 28
Fan motor	10W 230V 50/60Hz

WIRING DIAGRAM



REFRIGERATION CAPACITY (W) Evaporating Temperature (°C)

Model	Motor	-40	-35	-30	-25	-23.3			-10
						W	Winp	A	
CMPT14LA_N	CSR	378	499	586	734	743	535	1.98	1093

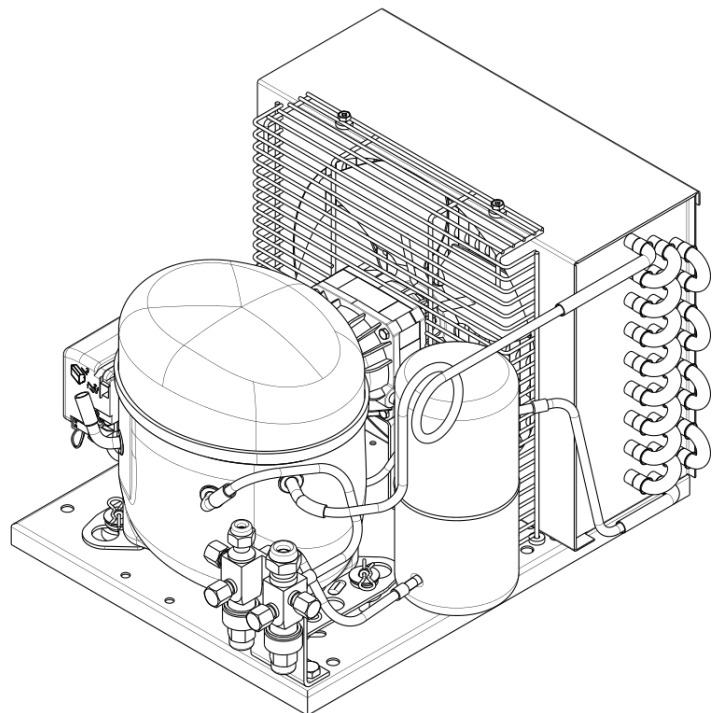
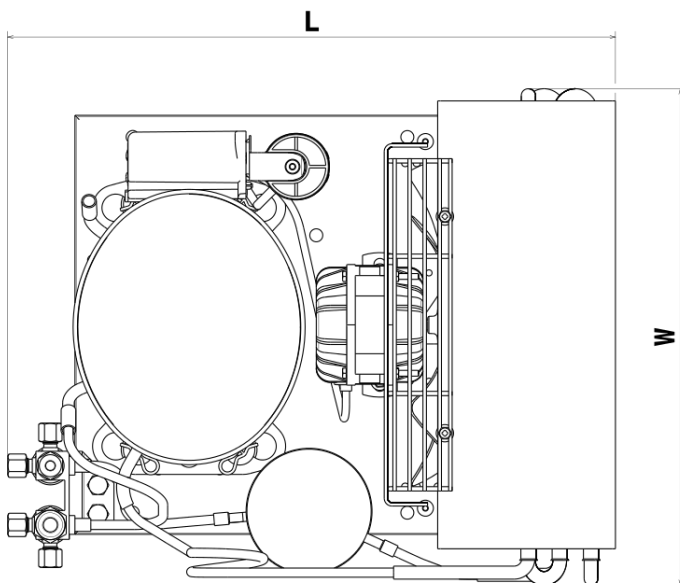
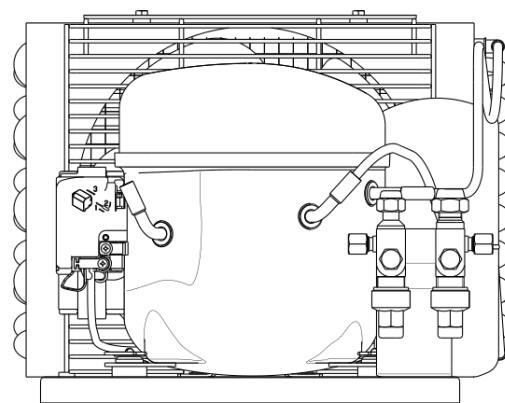
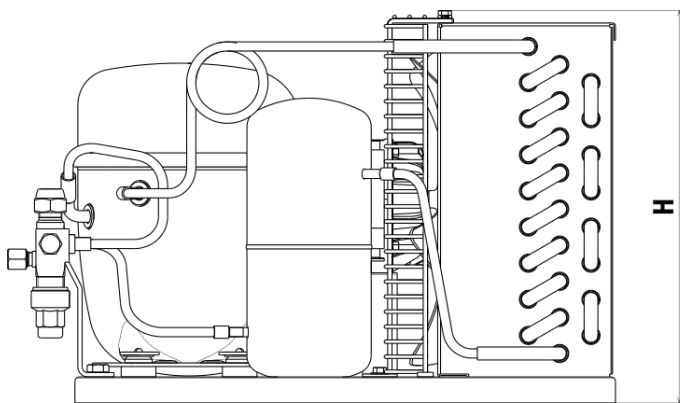
ASHRAE LBP: Condensing temperature: 55°C, Liquid temperature: 32°C, Suction temperature: 32°C, Ambient temperature: 32°C

Condensing Unit Technical Data Sheet

VERSIONS

VERSION 1	VERSION 2	VERSION 3	VERSION 3P	VERSION 4
Tube	Service valve	Service valve and receiver	Service valve, receiver, pressure switch	Schrader valve on the service port
Suction tube internal diam.: 8,1 mm Discharge tube internal diam.: 6,5 mm Net Weight: 22,6 Kg	Suction valve: 3/8" Discharge valve: 3/8" Net Weight: 23,1 Kg	Receiver vol.: 1,1 l Suction valve: 3/8" Discharge valve: 3/8" Net Weight: 23,9 Kg	Receiver vol.: 1,1 l Suction valve: 3/8" Discharge valve: 3/8" Net Weight: 25,0 Kg	Suction tube internal diam.: 8,1 mm Discharge tube internal diam.: 6,5 mm Net Weight: 22,6 Kg

DIMENSIONS (Version 3 drawing)



VERSION 1-4 (WxLxH) (mm)	VERSION 2 (WxLxH) (mm)	VERSION 3 (WxLxH) (mm)	VERSION 3P (WxLxH) (mm)
325x415x275	325x425x275	335x425x275	335x465x275

Condensing Unit Technical Data Sheet

Model CMX18FBa_N
Voltage 220-240V 50Hz ~1
Refrigerant R404A

APPLICATION

Application Low Back Pressure
Refrigerant R404A
Evaporating Temp. -40,0 °C to -10,0 °C
Expansion Capillar/Valve
Comp. Cooling Fan cooled
Max. ambient temp. 43,0 °C

COMPRESSOR

Displacement 18,40 cm³
Diameter 34,93 mm
Stroke 19,20 mm
Oil type ISO VG 32 ESTER
Oil charge 650 cm³

MOTOR

Nominal Power 5/8 hp
Voltage/Frequency 220-240V 50Hz
Voltage range 187-264 V
Type CSR
Phase number 1 PH
Locked Rotor Amps (LRA) 18,00 A
Max. Cont. Current (MCC) 4,60 A
Main W. resist. at 25°C 3,50 Ω
Start W. resist. at 25°C 7,35 Ω

NOMINAL PERFORMANCE

Cooling Capacity	820 W
COP	1,28 W/W
EER	1,10 kCal/Wh
Input Power	639 W
Current	2,97 A

ASHRAE

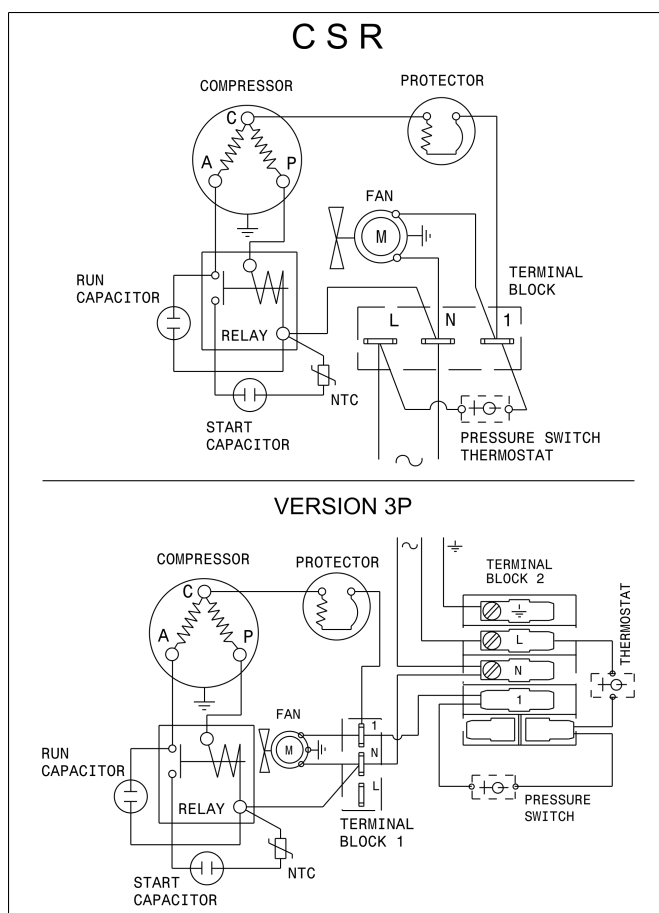
TEST CYCLE CONDITIONS

	LBP
Evaporating temp. (T _e)	-23,3 °C
Condensing temp. (T _c)	55,0 °C
Liquid temp. (T _{liq.})	32,0 °C
Ambient temp. (T _{amb.})	32,0 °C
Suction temp. (T _{suction})	32,0 °C
Voltage/Frequency	220 V 50 Hz

CONDENSER AND FAN DATA

Condenser type	CU-AL
Condenser model	9T 4R
Fan blade (Ø mm / °)	230 / 28
Fan motor	10W 230V 50/60Hz

WIRING DIAGRAM



REFRIGERATION CAPACITY (W)

Evaporating Temperature (°C)

Model	Motor	-40	-35	-30	-25	-23.3			-10
						W	Winp	A	
CMX18FBa_N	CSR	349	461	611	756	820	639	2.97	1313

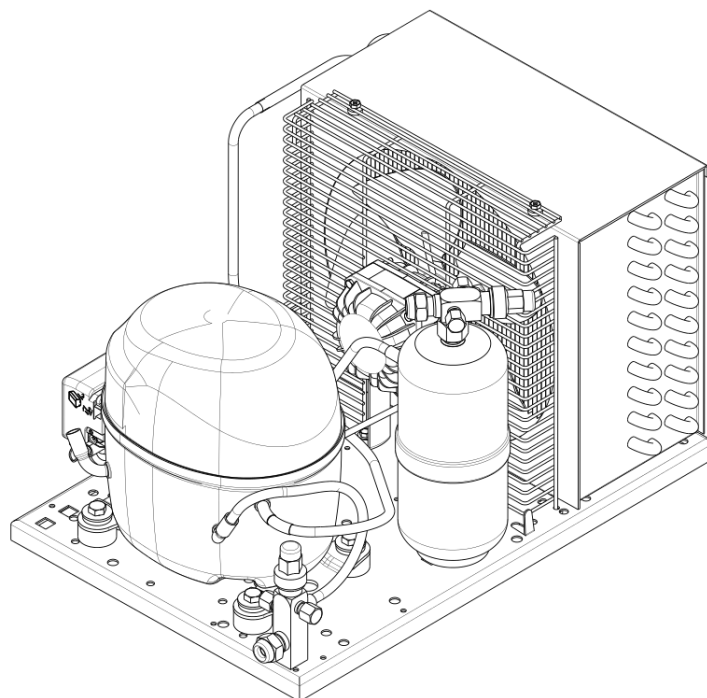
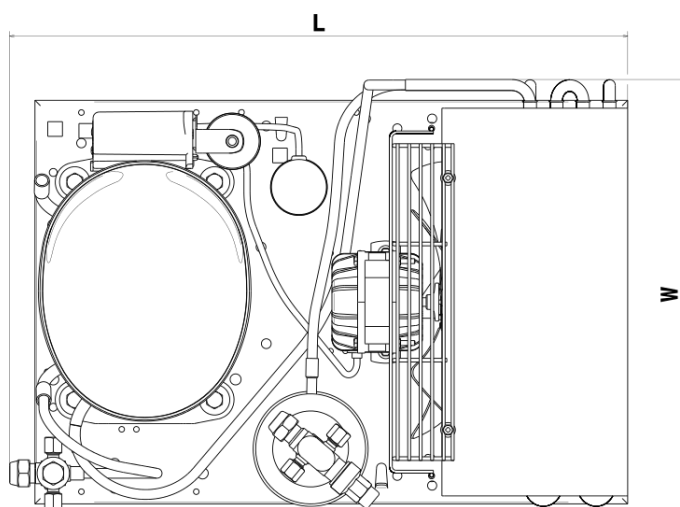
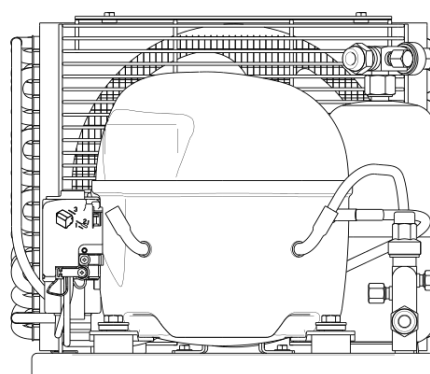
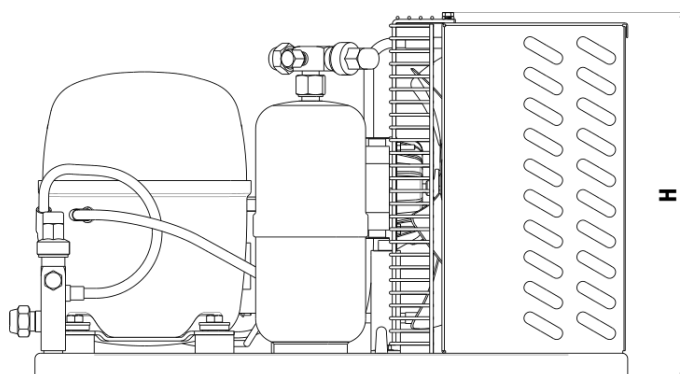
ASHRAE LBP: Condensing temperature: 55°C, Liquid temperature: 32°C, Suction temperature: 32°C, Ambient temperature: 32°C

Condensing Unit Technical Data Sheet

VERSIONS

VERSION 1	VERSION 2	VERSION 3	VERSION 3P	VERSION 4
Tube	Service valve	Service valve and receiver	Service valve, receiver, pressure switch	Schrader valve on the service port
Suction tube internal diam.: 9,7 mm Discharge tube internal diam.: 6,5 mm Net Weight: 25,8 Kg	Suction valve: 3/8" Discharge valve: 3/8" Net Weight: 26,2 Kg	Receiver vol.: 1,1 l Suction valve: 3/8" Discharge valve: 3/8" Net Weight: 28,0 Kg	Receiver vol.: 1,1 l Suction valve: 3/8" Discharge valve: 3/8" Net Weight: 29,1 Kg	Suction tube internal diam.: 9,7 mm Discharge tube internal diam.: 6,5 mm Net Weight: 25,8 Kg

DIMENSIONS (Version 3 drawing)



VERSION 1-4 (WxLxH) (mm)	VERSION 2 (WxLxH) (mm)	VERSION 3 (WxLxH) (mm)	VERSION 3P (WxLxH) (mm)
340x490x275	340x510x275	340x510x275	340x545x275

Condensing Unit Technical Data Sheet

Model CMS26FB_N
Voltage 220-240V 50Hz ~1
Refrigerant R404A

APPLICATION

Application	Low Back Pressure
Refrigerant	R404A
Evaporating Temp.	-40,0 °C to -10,0 °C
Expansion	Capillar/Valve
Comp. Cooling	Fan cooled
Max. ambient temp.	43,0 °C

COMPRESSOR

Displacement	25,93 cm ³
Diameter	39,98 mm
Stroke	20,65 mm
Oil type	ISO VG 46 ESTER
Oil charge	887 cm ³

MOTOR

Nominal Power	3/4 hp
Voltage/Frequency	220-240V 50Hz
Voltage range	187-255 V
Type	CSR
Phase number	1 PH
Locked Rotor Amps (LRA)	31,50 A
Max. Cont. Current (MCC)	7,30 A
Main W. resist. at 25°C	2,63 Ω
Start W. resist. at 25°C	6,29 Ω

NOMINAL PERFORMANCE

Cooling Capacity	1.400 W
COP	1,59 W/W
EER	1,36 kCal/Wh
Input Power	883 W
Current	3,97 A

ASHRAE

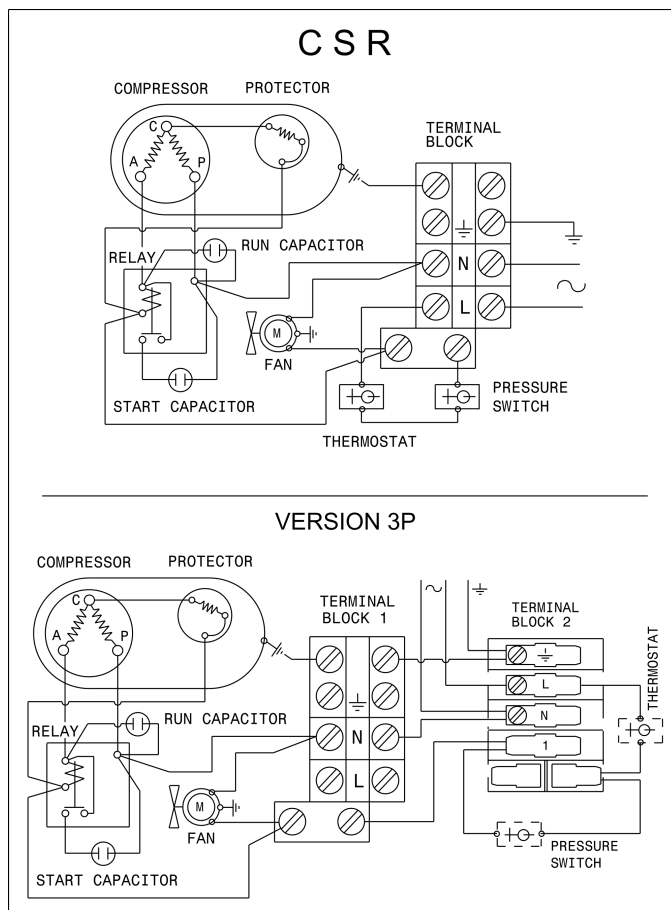
TEST CYCLE CONDITIONS

	LBP
Evaporating temp. (T _e)	-23,3 °C
Condensing temp. (T _c)	55,0 °C
Liquid temp. (T _{liq.})	32,0 °C
Ambient temp. (T _{amb.})	32,0 °C
Suction temp. (T _{suction})	32,0 °C
Voltage/Frequency	220 V 50 Hz

CONDENSER AND FAN DATA

Condenser type	CU-AL
Condenser model	12T 3R
Fan blade (Ø mm / °)	300 / 19
Fan motor	25W 220-240V 50/60Hz

WIRING DIAGRAM



REFRIGERATION CAPACITY (W) Evaporating Temperature (°C)

Model	Motor	-40	-35	-30	-25	-23.3			-10
						W	Winp	A	
CMS26FB_N	CSR	523	690	1028	1287	1400	883	3.97	2217

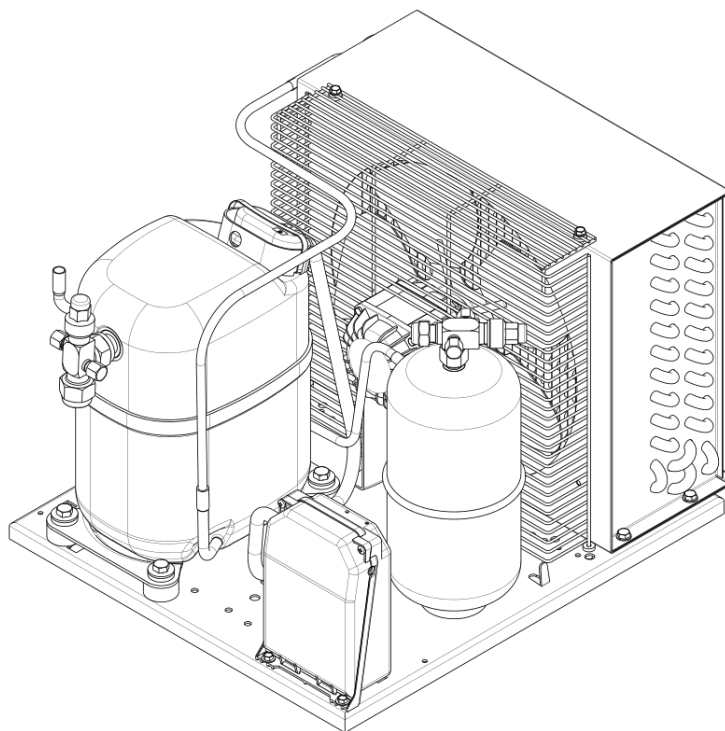
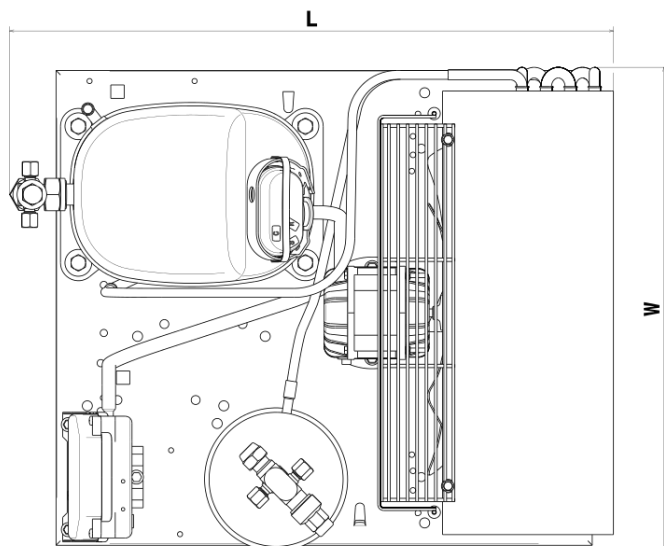
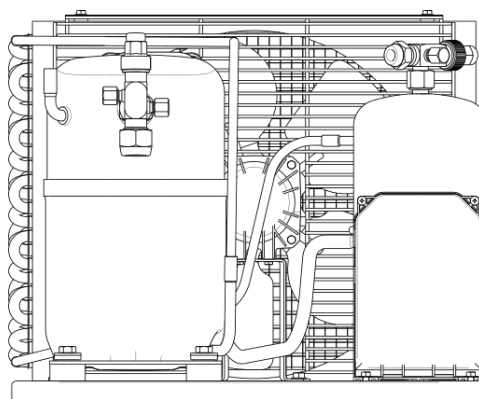
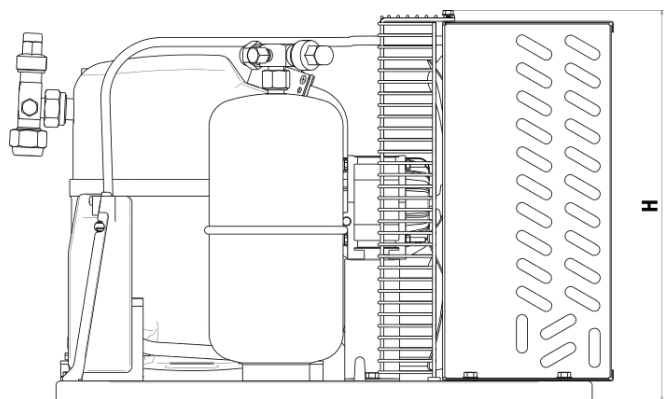
ASHRAE LBP: Condensing temperature: 55°C, Liquid temperature: 32°C, Suction temperature: 32°C, Ambient temperature: 32°C

Condensing Unit Technical Data Sheet

VERSIONS

VERSION 1	VERSION 2	VERSION 3	VERSION 3P	VERSION 4
Tube	Service valve	Service valve and receiver	Service valve, receiver, pressure switch	Schrader valve on the service port
Suction tube internal diam.: 12,7 mm Discharge tube internal diam.: 8,0 mm Net Weight: 36,5 Kg	Suction valve: 1/2" Discharge valve: 3/8" Net Weight: 37,4 Kg	Receiver vol.: 2,4 l Suction valve: 1/2" Discharge valve: 3/8" Net Weight: 39,0 Kg	Receiver vol.: 2,4 l Suction valve: 1/2" Discharge valve: 3/8" Net Weight: 40,1 Kg	Suction tube internal diam.: 12,7 mm Discharge tube internal diam.: 8,0 mm Net Weight: 36,5 Kg

DIMENSIONS (Version 3 drawing)



VERSION 1-4 (WxLxH) (mm)	VERSION 2 (WxLxH) (mm)	VERSION 3 (WxLxH) (mm)	VERSION 3P (WxLxH) (mm)
430x485x355	430x525x355	430x525x355	430x525x355

Condensing Unit Technical Data Sheet

Model CMS34FB_N
Voltage 220-240V 50Hz ~1
Refrigerant R404A

APPLICATION

Application Low Back Pressure
Refrigerant R404A
Evaporating Temp. -40,0 °C to -10,0 °C
Expansion Capillar/Valve
Comp. Cooling Fan cooled
Max. ambient temp. 43,0 °C

COMPRESSOR

Displacement 34,42 cm³
Diameter 42,86 mm
Stroke 23,85 mm
Oil type ISO VG 46 ESTER
Oil charge 887 cm³

MOTOR

Nominal Power 1 hp
Voltage/Frequency 220-240V 50Hz
Voltage range 198-255 V
Type CSR
Phase number 1 PH
Locked Rotor Amps (LRA) 39,00 A
Max. Cont. Current (MCC) 9,00 A
Main W. resist. at 25°C 2,13 Ω
Start W. resist. at 25°C 7,40 Ω

NOMINAL PERFORMANCE

Cooling Capacity	1.638 W
COP	1,35 W/W
EER	1,16 kCal/Wh
Input Power	1.209 W
Current	5,95 A

ASHRAE

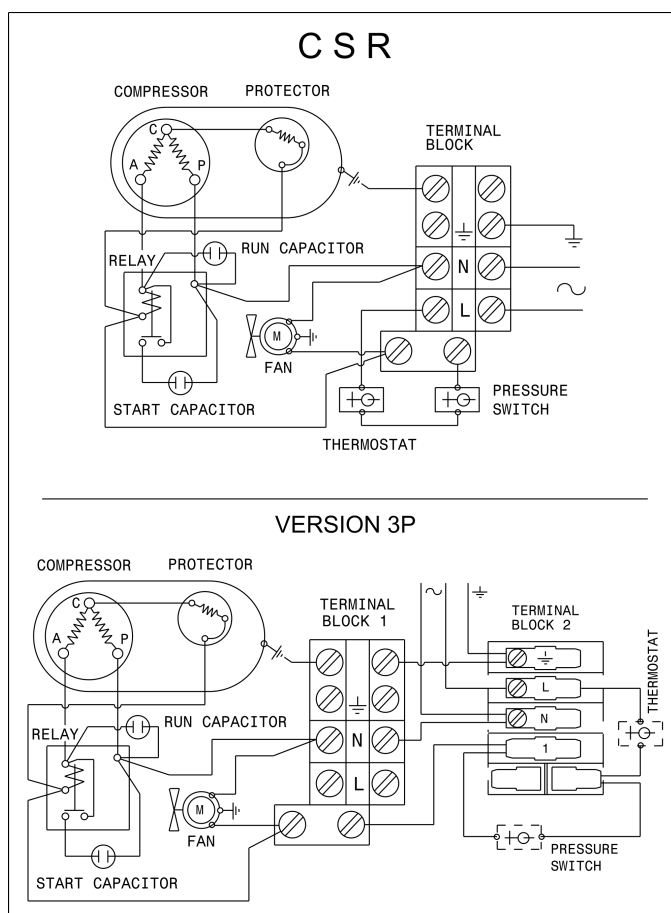
TEST CYCLE CONDITIONS

	LBP
Evaporating temp. (T _e)	-23,3 °C
Condensing temp. (T _c)	55,0 °C
Liquid temp. (T _{liq.})	32,0 °C
Ambient temp. (T _{amb.})	32,0 °C
Suction temp. (T _{suction})	32,0 °C
Voltage/Frequency	220 V 50 Hz

CONDENSER AND FAN DATA

Condenser type	CU-AL
Condenser model	12T 4R
Fan blade (Ø mm / °)	300 / 19
Fan motor	25W 220-240V 50/60Hz

WIRING DIAGRAM



REFRIGERATION CAPACITY (W) Evaporating Temperature (°C)

Model	Motor	-40	-35	-30	-25	-23.3			-10
						W	Winp	A	
CMS34FB_N	CSR	826	1090	1210	1515	1638	1209	5.95	2892

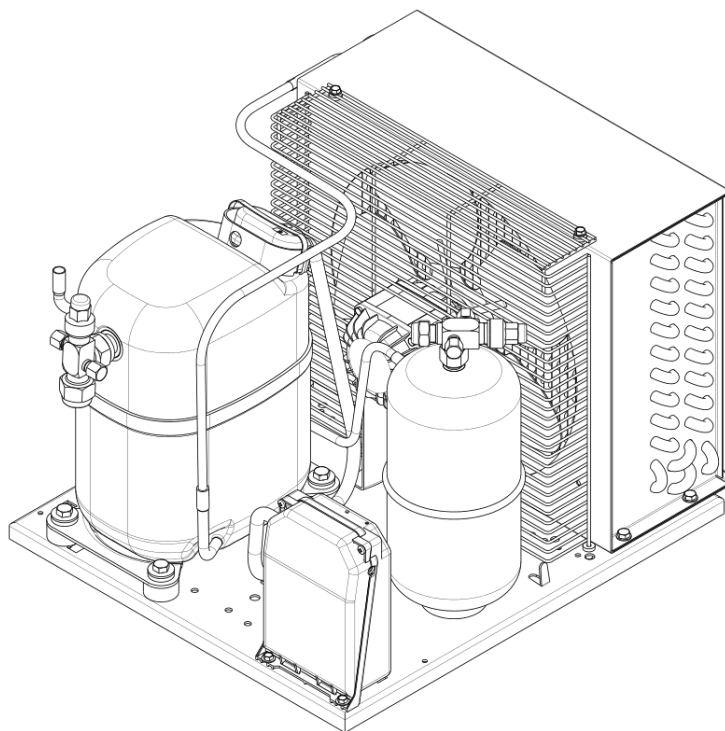
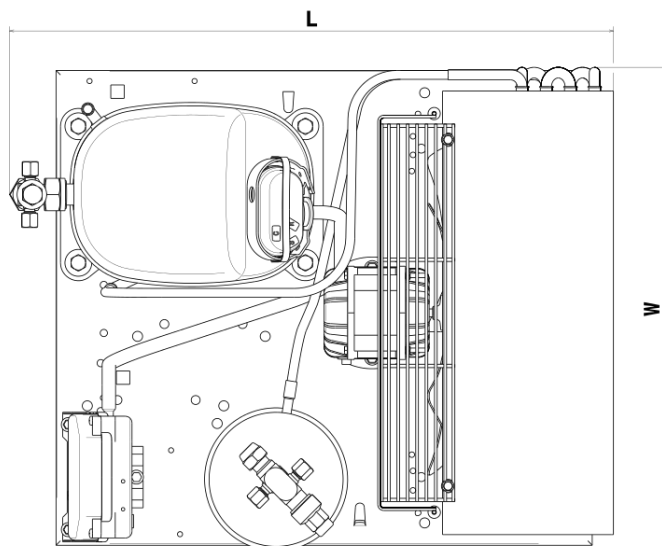
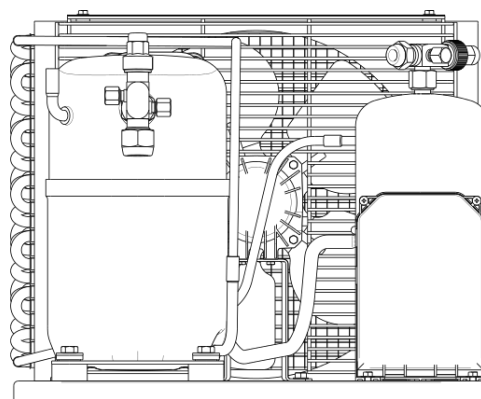
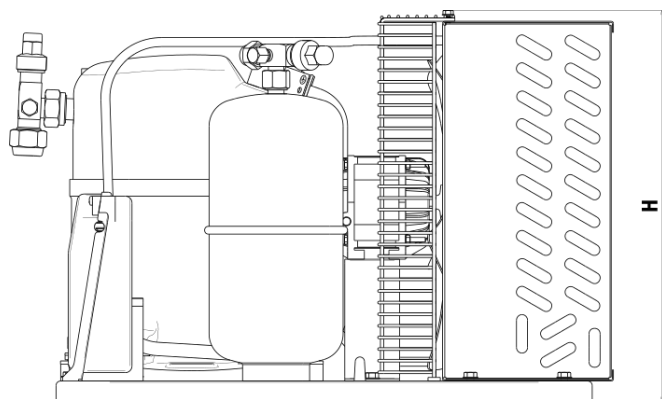
ASHRAE LBP: Condensing temperature: 55°C, Liquid temperature: 32°C, Suction temperature: 32°C, Ambient temperature: 32°C

Condensing Unit Technical Data Sheet

VERSIONS

VERSION 1	VERSION 2	VERSION 3	VERSION 3P	VERSION 4
Tube	Service valve	Service valve and receiver	Service valve, receiver, pressure switch	Schrader valve on the service port
Suction tube internal diam.: 12,7 mm Discharge tube internal diam.: 8,0 mm Net Weight: 37,0 Kg	Suction valve: 5/8" Discharge valve: 3/8" Net Weight: 38,0 Kg	Receiver vol.: 2,4 l Suction valve: 5/8" Discharge valve: 3/8" Net Weight: 39,5 Kg	Receiver vol.: 2,4 l Suction valve: 5/8" Discharge valve: 3/8" Net Weight: 40,6 Kg	Suction tube internal diam.: 12,7 mm Discharge tube internal diam.: 8,0 mm Net Weight: 37,0 Kg

DIMENSIONS (Version 3 drawing)



VERSION 1-4 (WxLxH) (mm)	VERSION 2 (WxLxH) (mm)	VERSION 3 (WxLxH) (mm)	VERSION 3P (WxLxH) (mm)
430x505x350	430x535x350	435x535x350	435x535x350