



Tecumseh

- ▶ Energy Efficient
- ▶ Compact Solution
- ▶ Highly Reliable

# Compressor FH<sup>2</sup>

Efficient, compact, quiet.



## KEY FEATURES AND BENEFITS

### ▶ Performance

5 to 20% more energy efficiency, and better acoustics (1 - 3 dBA) quieter.

### ▶ Compact

One size for entire cooling capacity, up to 36 mm shorter compared to FH.

### ▶ Product offering

Models cover a wide cooling capacity in the same mounting footprint, and new FH4544Z.

### ▶ Robust & Reliable

Designed to meet the rigorous demands of commercial refrigeration applications where reliability is a must.



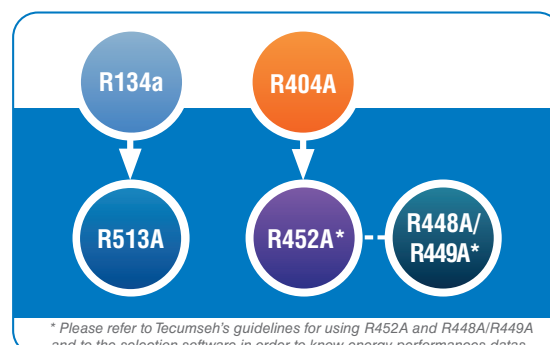
Available in tube & threaded connection

## APPLICATIONS

Walk-in cold rooms, refrigerated display cases, milk tanks and ice machines



## REFRIGERANTS



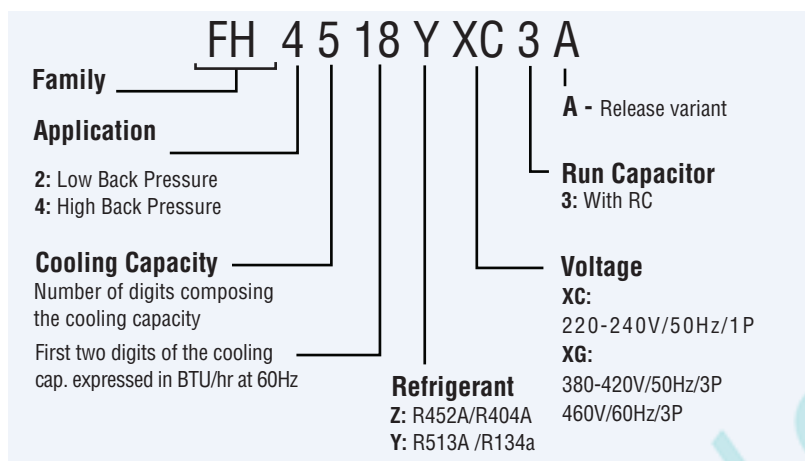


# Compressor FH<sup>2</sup>

Efficient, compact, quiet.

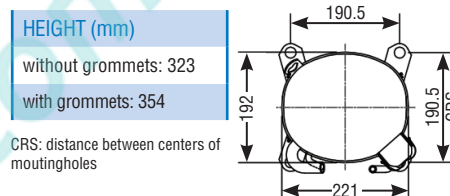


## COMPRESSOR MODEL NOMENCLATURE



## SPECIFICATIONS

EVAP. RANGE	High Back / Low Back
REFRIGERANTS	R404A, R452A, R448A*, R449A*, R513A, R134a
COOLING CAP.	1000-6560 Watts
CONNECTIONS	Tubes / valves
OIL	Polyolester (POE)
FOOTPRINT	190.5 x 190.5mm
MOTOR TYPE	CSR / TRI



FH<sup>2</sup> 3 phase models will use new designation like FH2511Z-XG1A instead of TFH2511Z

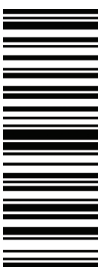
## RANGE

LBP APPLICATION			
EN12900 Evap. T. -35°C, Cond. T. 40°C, Subcooling 0°C, return gas 20°C			
REFRIG.	MODEL	COOL. CAP. (W)	EFFICIENCY (W/W)
XC - 220-240V/1P/50Hz			
R452A	FH2480Z-XC3A	1053	1.15
	FH2511Z-XC3A	1672	1.13
R448A/ R449A*	FH2480Z-XC3C	1085	1.02
	FH2511Z-XC3A	1552	1.10
XG - 380-420V/50Hz/3 / 460/60Hz/3			
R452A	FH2480Z-XG1A	1086	1.13
	FH2480Z-XG1A (60Hz)	1161	1.09
	FH2511Z-XG1A	1525	1.10
	FH2511Z-XG1A (60Hz)	1686	1.12
R448A/ R449A*	FH2480Z-XG1A	1008	1.11
	FH2480Z-XG1A (60Hz)	1078	1.06
	FH2511Z-XG1A	1416	1.07
	FH2511Z-XG1A (60Hz)	1565	1.09

HBP APPLICATION			
EN12900 Evap. T. -10°C, Cond. T. 45°C, Subcooling 0°C, return gas 20°C			
REFRIG.	MODEL	COOL. CAP. (W)	EFFICIENCY (W/W)
XC - 220-240V/1P/50Hz			
R513A	FH4518Y-XC3A	2187	2.10
	FH4525Y-XC3A	2962	2.12
R452A	FH4522Z-XC3A	2813	1.90
	FH4524Z-XC3A	3028	1.91
	FH4532Z-XC3A	3780	1.93
	FH4538Z-XC3A	4831	2.01
R448A/ R449A*	FH4522-XC3A	2762	1.94
	FH4524Z-XC3A	2972	1.95
	FH4532Z-XC3A	3710	1.98
	FH4538Z-XC3A	4736	2.05

HBP APPLICATION			
EN12900 Evap. T. -10°C, Cond. T. 45°C, Subcooling 0°C, return gas 20°C			
REFRIG.	MODEL	COOL. CAP. (W)	EFFICIENCY (W/W)
XG - 380-420V/50Hz/3 / 460/60Hz/3			
R513A	FH4518Y-XG1A	2127	2.14
	FH4518Y-XG1A (60Hz)	2585	2.15
	FH4525Y-XG1A	2876	2.13
R452A	FH4522Z-XG1A	2680	1.95
	FH4522Z-XG1A (60Hz)	3125	1.92
	FH4524Z-XG1A	2903	1.96
	FH4524Z-XG1A (60Hz)	3550	1.97
	FH4532Z-XG1A	3695	2.02
	FH4532Z-XG1A(60Hz)	4506	2.08
	FH4538Z-XG1A	4773	2.06
	FH4538Z-XG1A (60Hz)	5536	2.08
	FH4544Z-XG1A <b>NEW!</b>	5464	1.94
	FH4544Z-XG1A (60Hz)	6470	1.95
R448A/ R449A*	FH4522Z-XG1A	2507	2.00
	FH4522Z-XG1A (60Hz)	3074	1.97
	FH4524Z-XG1A	2714	2.01
	FH4524Z-XG1A (60Hz)	3489	2.01
	FH4532Z-XG1A	3455	2.08
	FH4532Z-XG1A(60Hz)	4420	2.12
	FH4538Z-XG1A	4467	2.09
	FH4538Z-XG1A (60Hz)	5522	2.07
	FH4544Z-XG1A <b>NEW!</b>	5115	2.00
FH4544Z-XG1A (60Hz)	6341	1.99	

**!** \* Please refer to Tecumseh's guidelines for using R452A and R448A/R449A, and to the selection software in order to know energy performances datas.



NWD0331