

RV Reversing Valves range

4-Way Reversing Valves

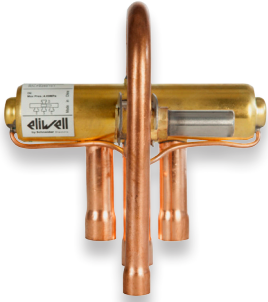


- › Wide capacity range from 1 to 560kW
- › UL and European Approvals
- › Based upon Eliwell know-how and manufacturing experience

APPLICATIONS

The 4-way reversing valves are the key component able to provide heating and cooling in a climate controlled space by reversing the refrigerant flow. It is used for room air conditioners, central air conditioning systems, packaged units and also popular in CR units for defrost applications. Reversing valves are designed for systems with capacities from 1 kW up to 560 kW. They are suitable for the majority of refrigerants, such as R404A - R407C - R410A - R134a. The design of the valves also guarantees minimum pressure drop and very low leakage. The available models offer several types of connections, configurations and capacities for specific applications. All models are individually packed for greater flexibility of purchasing and use.

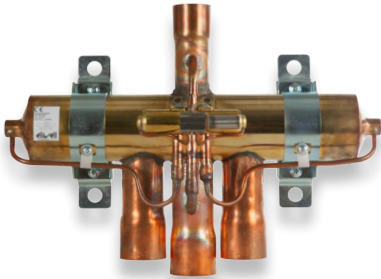
DIRECT ACTION MODELS



Part Number	Description Pipe size (inches)	CAPACITY 1 MIN - MAX				CAPACITY 2 MIN - MAX				Layout	Port (Ø)	Weight (Kg)	Master carton
		R407C	R410A	R404A	R134a	R407C	R410A	R404A	R134a				
		kW (US Ton) min/max	kW (US Ton) min/max	kW (US Ton) min/max	kW (US Ton) min/max	kW (US Ton) min/max	kW (US Ton) min/max	kW (US Ton) min/max	kW (US Ton) min/max				
RV00BD06050000	REV VALVE 0,5 UST 3/8 - 5/16 U DISCH	1.32/3.10 (0.38/0.88)	1.53/3.86 (0.44/1.10)	1.13/2.38 (0.32/0.68)	1.13/2.38 (0.32/0.68)	1.43/3.37 (0.41/0.96)	1.66/4.2 (0.47/1.19)	1.23/2.59 (0.35/0.74)	1.23/2.29 (0.35/0.74)	B	8	0.19	45
RV01AD06060000	REV VALVE 1 UST 3/8 - 3/8	1.39/4.62 (0.40/1.31)	1.73/6.01 (0.49/1.71)	1.48/4.22 (0.42/1.20)	1.39/3.91 (0.40/1.11)	1.51/5.02 (0.43/1.43)	1.88/6.53 (0.53/1.86)	1.61/4.59 (0.46/1.30)	1.51/4.25 (0.43/1.21)	A	11.1	0.19	18
RV01AD08050000	REV VALVE 1 UST 1/2 - 5/16	1.39/4.62 (0.40/1.31)	1.73/6.01 (0.49/1.71)	1.48/4.22 (0.42/1.20)	1.39/3.91 (0.40/1.11)	1.51/5.02 (0.43/1.43)	1.88/6.53 (0.53/1.86)	1.61/4.59 (0.46/1.30)	1.51/4.25 (0.43/1.21)	A	11.1	0.25	18
RV01BD06050000	REV VALVE 1 UST 3/8 - 5/16 U DISCH	1.39/4.62 (0.40/1.31)	1.73/6.01 (0.49/1.71)	1.48/4.22 (0.42/1.20)	1.39/3.91 (0.40/1.11)	1.51/5.02 (0.43/1.43)	1.88/6.53 (0.53/1.86)	1.61/4.59 (0.46/1.30)	1.51/4.25 (0.43/1.21)	B	11.1	0.27	18
RV01BD06060000	REV VALVE 1 UST 3/8 - 3/8 U DISCH	1.39/4.62 (0.40/1.31)	1.73/6.01 (0.49/1.71)	1.48/4.22 (0.42/1.20)	1.39/3.91 (0.40/1.11)	1.51/5.02 (0.43/1.43)	1.88/6.53 (0.53/1.86)	1.61/4.59 (0.46/1.30)	1.51/4.25 (0.43/1.21)	B	11.1	0.19	18
RV01AD08060000	REV VALVE 1 UST 1/2 - 3/8	1.39/4.62 (0.40/1.31)	1.73/6.01 (0.49/1.71)	1.48/4.22 (0.42/1.20)	1.39/3.91 (0.40/1.11)	1.51/5.02 (0.43/1.43)	1.88/6.53 (0.53/1.86)	1.61/4.59 (0.46/1.30)	1.51/4.25 (0.43/1.21)	A	11.1	0.19	18
RV01AD06050000	REV VALVE 1 UST 3/8 - 5/16	1.39/4.62 (0.40/1.31)	1.73/6.01 (0.49/1.71)	1.48/4.22 (0.42/1.20)	1.39/3.91 (0.40/1.11)	1.51/5.02 (0.43/1.43)	1.88/6.53 (0.53/1.86)	1.61/4.59 (0.46/1.30)	1.51/4.25 (0.43/1.21)	A	11.1	0.19	18
RV02AD08060000	REV VALVE 2 UST 1/2 - 3/8	2.79/6.35 (0.79/1.81)	3.14/7.78 (0.89/2.21)	2.46/5.28 (0.70/1.50)	2.44/4.95 (0.69/1.41)	3.03/6.90 (0.86/1.96)	3.41/8.46 (0.97/2.40)	2.67/5.74 (0.76/1.63)	2.65/5.38 (0.75/1.53)	A	11.1	0.28	18
RV02BD08060000	REV VALVE 2 UST 1/2 - 3/8 U DISCH	2.79/6.35 (0.79/1.81)	3.14/7.78 (0.89/2.21)	2.46/5.28 (0.70/1.50)	2.44/4.95 (0.69/1.41)	3.03/6.90 (0.86/1.96)	3.41/8.46 (0.97/2.40)	2.67/5.74 (0.76/1.63)	2.65/5.38 (0.75/1.53)	B	11.1	0.28	18
RV02CD10060000	REV VALVE 2 UST 5/8 - 3/8	3.85/7.10 (1.09/2.02)	4.54/8.81 (1.29/2.50)	3.17/5.98 (0.90/1.70)	3.14/5.63 (0.89/1.60)	4.18/7.72 (1.19/2.19)	4.93/9.58 (1.40/2.72)	3.45/6.50 (0.98/1.85)	3.41/6.12 (0.97/1.74)	C	11.1	0.28	18
RV02DD10060000	REV VALVE 2 UST 5/8 - 3/8 U DISCH	3.85/7.10 (1.09/2.02)	4.54/8.81 (1.29/2.50)	3.17/5.98 (0.90/1.70)	3.14/5.63 (0.89/1.60)	4.18/7.72 (1.19/2.19)	4.93/9.58 (1.40/2.72)	3.45/6.50 (0.98/1.85)	3.41/6.12 (0.97/1.74)	D	11.1	0.30	18
RV03ED10080000	REV VALVE 3 UST 5/8 - 1/2	3.85/9.55 (1.09/2.72)	4.54/11.98 (1.29/3.41)	3.17/8.09 (0.90/2.30)	3.14/7.42 (0.89/2.11)	4.18/10.4 (1.19/2.95)	4.93/13.00 (1.40/3.70)	3.45/8.79 (0.98/2.50)	3.41/8.07 (0.97/2.29)	E	11.5	0.32	12
RV03ED12080000	REV VALVE 3 UST 3/4 - 1/2	3.85/9.90 (1.09/2.81)	4.54/12.35 (1.29/3.51)	3.17/8.44 (0.90/2.40)	3.14/7.78 (0.89/2.21)	4.18/10.8 (1.19/3.06)	4.93/13.4 (1.4/3.82)	3.45/9.17 (0.98/2.61)	3.41/8.46 (0.97/2.40)	E	11.5	0.35	12
RV03CD10080000	REV VALVE 3 UST 5/8 - 1/2 CENT DISCH	3.85/9.55 (1.09/2.72)	4.54/11.98 (1.29/3.41)	3.17/8.09 (0.90/2.30)	3.14/7.42 (0.89/2.11)	4.18/10.4 (1.19/2.95)	4.93/13.00 (1.40/3.70)	3.45/8.79 (0.98/2.50)	3.41/8.07 (0.97/2.29)	C	11.5	0.32	12
RV03DD10080000	REV VALVE 3 UST 5/8 - 1/2 U DISCH	3.85/9.55 (1.09/2.72)	4.54/11.98 (1.29/3.41)	3.17/8.09 (0.90/2.30)	3.14/7.42 (0.89/2.11)	4.18/10.4 (1.19/2.95)	4.93/13.00 (1.40/3.70)	3.45/8.79 (0.98/2.50)	3.41/8.07 (0.97/2.29)	D	11.5	0.32	12
RV06AD12080000	REV VALVE 6 UST 3/4 - 1/2	3.85/19.02 (1.09/5.41)	4.54/23.95 (1.29/6.81)	3.17/14.81 (0.90/4.21)	3.17/14.81 (0.89/4.21)	4.18/20.70 (1.19/5.88)	4.93/26.00 (1.40/7.40)	3.45/17.59 (0.98/5.00)	3.41/16.10 (0.97/4.58)	A	15.5	0.66	12
RV06AD14080000	REV VALVE 6 UST 7/8 - 1/2	3.85/19.02 (1.09/5.41)	4.54/23.95 (1.29/6.81)	3.17/14.81 (0.90/4.21)	3.17/14.81 (0.89/4.21)	4.18/20.70 (1.19/5.88)	4.93/26.00 (1.40/7.40)	3.45/17.59 (0.98/5.00)	3.41/16.10 (0.97/4.58)	A	15.5	0.68	12
RV06AD14100000	REV VALVE 6 UST 7/8 - 5/8	3.85/19.02 (1.09/5.41)	4.54/23.95 (1.29/6.81)	3.17/14.81 (0.90/4.21)	3.17/14.81 (0.89/4.21)	4.18/20.70 (1.19/5.88)	4.93/26.00 (1.40/7.40)	3.45/17.59 (0.98/5.00)	3.41/16.10 (0.97/4.58)	A	15.5	0.72	12
RV06AD14120000	REV VALVE 6 UST 7/8 - 3/4	3.85/19.02 (1.09/5.41)	4.54/23.95 (1.29/6.81)	3.17/14.81 (0.90/4.21)	3.17/14.81 (0.89/4.21)	4.18/20.70 (1.19/5.88)	4.93/26.00 (1.40/7.40)	3.45/17.59 (0.98/5.00)	3.41/16.10 (0.97/4.58)	A	15.5	0.72	12
RV10AD14080000	REV VALVE 10 UST 7/8 - 1/2	11.22/33.11 (3.19/9.41)	12.29/41.88 (3.49/11.91)	9.50/26.05 (2.70/7.41)	9.82/26.05 (2.79/7.41)	12.20/36.00 (3.47/10.20)	13.40/45.50 (3.80/12.90)	10.33/28.32 (2.94/8.05)	10.70/28.30 (3.03/8.05)	A	19.0	1.19	8
RV10AD14120000	REV VALVE 10 UST 7/8 - 3/4 RECIPIR	17.21/33.11 (4.89/9.41)	19.71/41.88 (5.60/11.91)	9.50/26.05 (2.70/7.41)	14.41/26.05 (4.10/7.41)	18.70/36.00 (5.32/10.20)	21.40/45.50 (6.09/12.90)	15.70/28.32 (4.45/8.05)	15.70/28.30 (4.45/8.05)	A	19.0	1.19	8

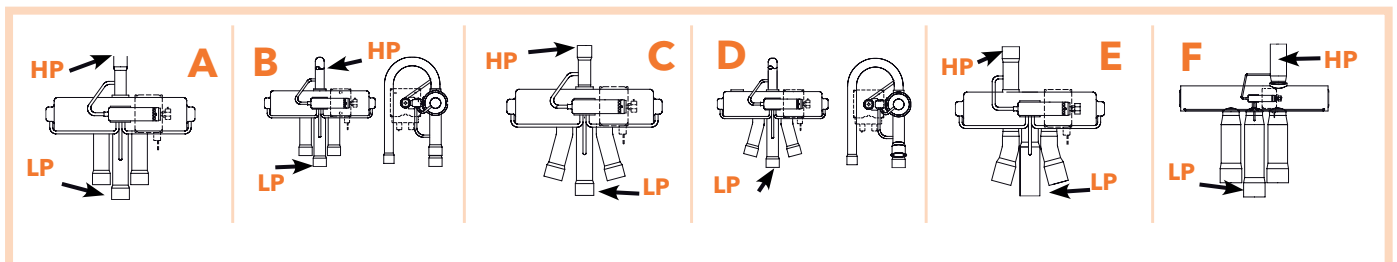
Part Number	Description Pipe size (inches)	CAPACITY 1 MIN - MAX				CAPACITY 2 MIN - MAX				Layout	Port (°)	Weight (Kg)	Master carton
		R407C	R410A	R404A	R134a	R407C	R410A	R404A	R134a				
		kW (US Ton) min/max	kW (US Ton) min/max	kW (US Ton) min/max	kW (US Ton) min/max	kW (US Ton) min/max	kW (US Ton) min/max	kW (US Ton) min/max	kW (US Ton) min/max				
RV10AD141200S0	REV VALVE 10 UST 7/8 - 3/4	17.21/33.11 (4.89/9.41)	19.71/41.88 (5.60/11.91)	14.42/26.05 (4.10/7.41)	14.41/26.05 (4.10/7.41)	18.70/36.00 (5.32/10.20)	21.40/45.50 (6.09/12.90)	15.67/28.32 (4.46/8.05)	15.70/28.30 (4.45/8.05)	A	19.0	1.23	8
RV10AD14140X00	REV VALVE 10 UST 7/8 - 7/8 FREE	11.22/33.11 (3.19/9.41)	12.29/41.88 (3.49/11.91)	9.50/26.05 (2.70/7.41)	9.82/26.05 (2.79/7.41)	12.20/36.00 (3.47/10.20)	13.40/45.50 (3.80/12.90)	10.33/28.32 (2.94/8.05)	10.70/28.30 (3.03/8.05)	A	19.0	1.23	8
RV10AD180M0000	REV VALVE 10 UST 1-1/8 - METRIC	17.21/37.67 (4.89/10.71)	19.71/47.51 (5.60/13.51)	14.41/32.36 (4.10/9.20)	14.41/29.57 (4.10/8.41)	18.70/40.90 (5.32/11.60)	21.40/51.60 (6.09/14.70)	15.66/35.17 (4.46/10.00)	15.70/32.10 (4.45/9.14)	A	19.0	1.23	8
RV10AD18120000	REV VALVE 10 UST 1-1/8 - 3/4	17.21/37.67 (4.89/10.71)	19.71/47.51 (5.60/13.51)	14.41/32.36 (4.10/9.20)	14.41/29.57 (4.10/8.41)	18.70/40.90 (5.32/11.60)	21.40/51.60 (6.09/14.70)	15.66/35.17 (4.46/10.00)	15.70/32.10 (4.45/9.14)	A	19.0	1.23	8
RV10AD18140000	REV VALVE 10 UST 1-1/8 - 7/8 RECIPR	17.21/37.67 (4.89/10.71)	19.71/47.51 (5.60/13.51)	9.50/32.36 (2.70/9.20)	14.41/29.57 (4.10/8.41)	18.70/40.90 (5.32/11.60)	21.40/51.60 (6.09/14.70)	10.33/35.17 (2.94/10.00)	15.70/32.10 (4.45/9.14)	A	19.0	1.23	8
RV10AD181400S0	REV VALVE 10 UST 1-1/8 - 7/8	17.21/37.67 (4.89/10.71)	19.71/47.51 (5.60/13.51)	14.41/32.36 (4.10/9.20)	14.41/29.57 (4.10/8.41)	18.70/40.90 (5.32/11.60)	21.40/51.60 (6.09/14.70)	15.66/35.17 (4.46/10.00)	15.70/32.10 (4.45/9.14)	A	19.0	1.24	8
RV12FD220T0000	REV VALVE 12 UST 1-3/8	22.83/46.82 (6.49/13.31)	26.35/58.94 (7.49/16.76)	19.34/40.09 (5.50/11.40)	18.97/36.96 (5.39/10.51)	24.80/50.90 (7.06/14.50)	28.60/64.1 (8.14/18.20)	21.02/43.58 (5.98/12.39)	20.60/40.20 (5.86/11.40)	F	25.6	2.10	5
RV15AD18140000	REV VALVE 15 UST 1-1/8 - 7/8	15.81/54.54 (4.50/15.51)	15.81/61.58 (4.50/17.51)	12.31/40.80 (3.50/11.60)	12.28/40.83 (3.49/11.61)	17.20/59.30 (4.89/16.90)	17.20/66.90 (4.89/19.00)	13.38/44.35 (3.80/12.61)	13.30/44.40 (3.80/12.60)	A	23	1.85	7

PILOT ACTION MODELS



Part Number	Description Pipe size (inches)	CAPACITY 1 MIN - MAX				CAPACITY 2 MIN - MAX				Layout	Port (°)	Weight (Kg)	Master carton
		R407C	R410A	R404A	R134a	R407C	R410A	R404A	R134a				
		kW (US Ton) min/max	kW (US Ton) min/max	kW (US Ton) min/max	kW (US Ton) min/max	kW (US Ton) min/max	kW (US Ton) min/max	kW (US Ton) min/max	kW (US Ton) min/max				
RV20AP20160000	REV VALVE 20 UST 1-1/4 - 1	17.56/72.48 (4.99/20.61)	17.56/81.64 (4.99/23.21)	13.72/54.16 (3.90/15.40)	13.69/54.19 (3.89/15.41)	19.10/78.80 (5.43/22.40)	19.10/88.70 (5.43/25.2)	14.91/58.57 (4.24/16.74)	14.90/58.90 (4.23/16.70)	A	34.6	3.35	1
RV20AP22180000	REV VALVE 20 UST 1-3/8 - 1-1/8	17.56/72.48 (4.99/20.61)	17.56/81.64 (4.99/23.21)	13.72/54.16 (3.90/15.40)	13.69/54.19 (3.89/15.41)	19.10/78.80 (5.43/22.40)	19.10/88.70 (5.43/25.2)	14.91/58.57 (4.24/16.74)	14.90/58.90 (4.23/16.70)	A	26.0	3.25	1
RV30AP24200000	REV VALVE 30 UST 1-1/2 - 1-1/4	26.35/108.72 (7.49/30.91)	26.36/122.44 (7.50/34.81)	20.40/81.24 (5.80/23.10)	20.36/81.28 (5.79/23.11)	28.60/118.00 (8.14/33.60)	28.70/133.00 (8.15/37.80)	22.17/88.30 (6.30/25.11)	22.10/88.30 (6.29/25.10)	A	34.6	3.38	1
RV40AP28240000	REV VALVE 40 UST 1-3/4 - 1-1/2	35.14/144.95 (9.99/41.21)	35.16/163.25 (10.00/46.42)	27.08/108.32 (7.70/30.80)	27.03/108.36 (7.69/30.81)	38.20/158.00 (10.90/44.80)	38.20/177.00 (10.90/50.50)	29.43/117.74 (8.37/33.48)	29.40/118.00 (8.35/33.50)	A	41	7.15	1
RV40AP26240000	REV VALVE 40 UST 1-5/8 - 1-1/2	35.14/144.95 (9.99/41.21)	35.16/163.25 (10.00/46.42)	27.08/108.32 (7.70/30.80)	27.03/108.36 (7.69/30.81)	38.20/158.00 (10.90/44.80)	38.20/177.00 (10.90/50.50)	29.43/117.74 (8.37/33.48)	29.40/118.00 (8.35/33.50)	A	41	7.25	1
RV50AP34240000	REV VALVE 50 UST 2-1/8 - 1-1/2	35.14/144.95 (9.99/41.21)	35.16/163.25 (10.00/46.42)	27.08/135.40 (7.70/38.50)	27.03/108.36 (7.69/30.81)	38.20/158.00 (10.90/44.80)	38.20/177.00 (10.90/50.50)	29.43/147.17 (8.37/41.85)	29.40/118.00 (8.35/33.50)	A	46.4	7.35	1
RV60AP42260000	REV VALVE 60 UST 2-5/8 - 1-5/8	52.76/194.85 (15.00/55.40)	52.76/245.05 (15.00/69.68)	29.52/147.59 (8.39/41.96)	34.77/154.39 (9.89/43.90)	57.30/212.00 (16.30/60.20)	57.30/266.00 (16.30/75.70)	32.09/160.42 (9.12/45.61)	37.80/168.00 (10.70/47.70)	A	50.2	7.60	1

Layout



MULTI VALVE MODELS

Part Number	Description Layout	CAPACITY 1 MIN - MAX				CAPACITY 2 MIN - MAX				port (Ø)	weight (Kg)	master carton
		R407C	R410A	R404A	R134a	R407C	R410A	R404A	R134a			
		kW (US Ton) min/max	kW (US Ton) min/max	kW (US Ton) min/max	kW (US Ton) min/max	kW (US Ton) min/max	kW (US Ton) min/max	kW (US Ton) min/max	kW (US Ton) min/max			
RVH0AP2N400100	REV VALVE 80 UST MULTI	70.31/289.84 (19.99/82.41)	-	54.12/216.68 (15.39/61.61)	54.12/216.68 (15.39/61.61)	76.40/315.00 (21.70/89.60)	-	58.83/235.52 (16.73/66.97)	58.80/236.00 (16.70/67.00)	41*2	55	1
RVH0AP2N400200	REV VALVE 80 UST MULTI WITH VLV	70.31/289.84 (19.99/82.41)	-	54.12/216.68 (15.39/61.61)	54.12/216.68 (15.39/61.61)	76.40/315.00 (21.70/89.60)	-	58.83/235.52 (16.73/66.97)	58.80/236.00 (16.70/67.00)	41*2	55	1
RVN0AP3N400000	REV VALVE 120 UST MULTI	105.28/436.15 (29.93/124.01)	-	81.24/324.96 (23.10/92.40)	81.21/324.02 (23.09/92.13)	114.00/474.00 (32.50/135.00)	-	88.30/353.22 (25.11/100.43)	88.30/352.00 (25.10/100.00)	41*3	73	1
RVR0AP4N400000	REV VALVE 160 UST MULTI	140.65/579.60 (39.99/164.80)	-	108.32/433.28 (30.80/123.20)	108.29/433.32 (30.79/123.21)	153.00/630.00 (43.50/179.00)	-	117.74/470.96 (33.48/133.91)	118.00/471.00 (33.50/134.00)	41*4	82	1

COILS



Part number	Description	Power Supply	Frequency	Power 50/60 Hz (W)	Cable length	
					mm	inches
RVCKA702400000	Reversing Valve COIL 24 Vac without cable	24 Vac	50/60 Hz	5.5 / 3.5	-	-
RVCKA612000000	Reversing Valve COIL 120 Vac without cable	120 Vac	50/60 Hz	5.5 / 3.5	-	-
RVCKA723000000	Reversing Valve COIL 230 Vac without cable	230 Vac	50/60 Hz	5.5 / 3.5	-	-
RVCKD001200000	Reversing Valve COIL 12 Vdc without cable	12 Vdc	-	10	-	-
RVCKD002400000	Reversing Valve COIL 24 Vdc without cable	24 Vdc	-	10	-	-
RVCLA702404800	Reversing Valve COIL 24 Vac cable 48"	24 Vac	50/60 Hz	5.5 / 3.5	1200	48
RVCLA612004800	Reversing Valve COIL 120 Vac cable 48"	120 Vac	50/60 Hz	5.5 / 3.5	1200	48
RVCLA723004800	Reversing Valve COIL 230 Vac cable 48"	230 Vac	50/60 Hz	5.5 / 3.5	1200	48
RVCLD001204800	Reversing Valve COIL 12 Vdc cable 48"	12 Vdc	-	10	1200	48
RVCLD002404800	Reversing Valve COIL 24 Vdc cable 48"	24 Vdc	-	10	1200	48

other cable lengths available on request



Part number	Description	Power Supply	Frequency	Power 50/60 Hz	Cable length	
					mm	inches
RVCC0W29048000	Reversing Valve cable 48" K style coil		-		1200	48

other cable lengths available on request



Part number	Description	Power Supply	Frequency	Power 50/60 Hz	Cable length	
					mm	inches
RV00H7-60A0000	pilot coil screw					

NOTE: capacities 1 are based on the following conditions:

- evaporating temperature: 7.2 °C;
- condensing temperature: 54.4 °C;
- sub cooling: 5.0 °C;
- superheat: 5.0 °C;
- pressure drop: 0.014 MPa

NOTE: capacities 2 are based on the following conditions:

- evaporating temperature: 5 °C;
- condensing temperature: 38 °C;
- sub cooling: 0 °C;
- superheat: 5.0 °C;
- pressure drop: 0.01 MPa

RV00+RV60 operating specifications

- Min ΔP to reverse 0.1 MPa
- Max ΔP to reverse 3.04 MPa
- Max operating pressure:
4.69 MPa (RV00+12 models) / 4.17 MPa (RV15+60 models)
- Min burst pressure:
17.24 MPa (RV00+12 models) / 16.7 MPa (RV15+60 models)
- Max operating temperature 121 °C
- Min operating voltage 85% of rated voltage
- Max operating voltage 110% of rated voltage

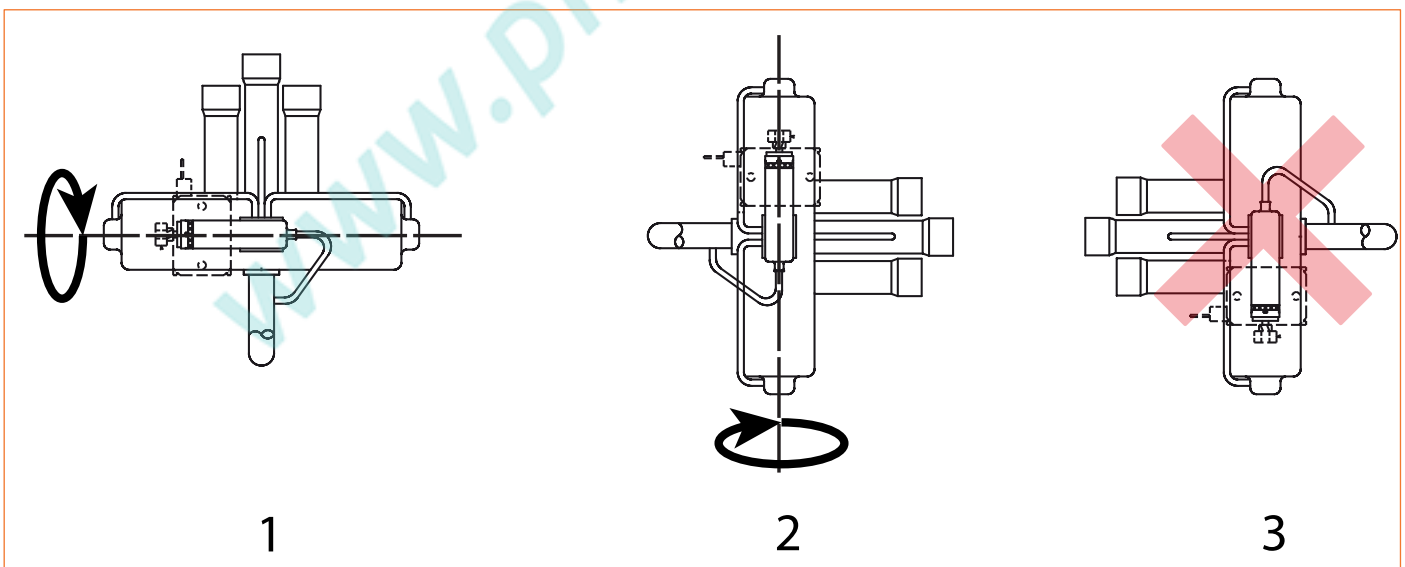
MULTI VALVE RVH operating specifications

- Min ΔP to reverse 0.34 MPa
- Max ΔP to reverse 2.25 MPa
- Max operating pressure 3.3 MPa
- Min burst pressure 16.5 MPa
- Max operating temperature 121 °C
- Min operating voltage 85% of rated voltage
- Max operating voltage 110% of rated voltage

INSTALLATION INSTRUCTIONS

	Make sure there is a sufficient volume of fluid to allow reversing action especially at low pressure value.
	To prevent dust & moisture entering the valves, tubes are provided with protection tube caps.
	Valve body should be protected with water or wet clothes during brazing in order not to exceed 120°C.
	Recommended mounting position is horizontal. Valve should be installed as illustrations, and in place where there is little vibration.
	Valve should be stored in dry place. Keep moisture, dust and any foreign matter from entering valve.

MOUNTING POSITIONS



1	Valve can be rotated 360° around horizontal axis of valve	ALLOWED
2	Valve can be rotated 360° around vertical axis of valve, with coil up	ALLOWED
3	Coil down	FORBIDDEN



by **Schneider** Electric

ITALY - HEADQUARTERS

Eliwell Controls Srl

Via dell' Industria, 15 Z. I. Paludi
32010 Pieve d' Alpago (BL) - Italy
T +39 0437 986 111

Sales

T +39 0437 986 100 (Italy)
T +39 0437 986 200 (other countries)
E saleseliwell@schneider-electric.com

Technical helpline

T +39 0437 986 300
E techsuppeliwell@schneider-electric.com

SPAIN

Eliwell Iberica S.A. - Valencia
T +34 (0) 96 313 42 04
E info@eliwell.es
www.eliwell.es

GERMANY

Eliwell Deutschland - Nürnberg
T +49 (0) 911 56 93 430
E eliwelldeutschland@schneider-electric.com
www.eliwell.de

FRANCE

Eliwell France - Paris
T +33 (0) 1 41 47 71 71
E contact@eliwell.fr
www.eliwell.com

RUSSIA

Moscow, 115230
E +7 499 611 79 75
www.eliwell.com

CHINA

Shanghai
T +39 0437 986 200
E eliwell.china@schneider-electric.com
www.eliwell.cn

UNITED STATES

Chicago, IL
Sales
T +1 (855) 574 - 9214
Technical helpline
T +1 (855) 574 - 9284
www.eliwell.com

BRAZIL

T +55 11 3468 5491
E vendas.eliwell@schneider-electric.com
www.eliwell.com

OTHER COUNTRIES

T+39 0437 986 111
Sales
T +39 0437 986 200
saleseliwell@schneider-electric.com
Technical helpline
T +39 0437 986 300
E techsuppeliwell@schneider-electric.com
www.eliwell.com



CT 123280 | EN | rel. 12/15
© Copyright Eliwell Controls s.r.l. 2015 All rights reserved

Follow us



www.eliwell.com

Eliwell has been offering for more than 30 years control systems and services for refrigeration and air conditioning units for both commercial and industrial applications, delivering highly innovative and technologically advanced products. Eliwell and Invensys are now part of the Schneider Electric Group. Subscribe to our newsletter in our webpage www.eliwell.com.